



MASTER



USER AND MAINTENANCE BOOK
LIBRETTO USO E MANUTENZIONE
BEDIENUNGS- UND WARTUNGSANLEITUNG
MANUAL DE INSTRUCCIONES PARA EL USO Y MANTENIMIENTO
MANUEL D'UTILISATION ET DE MAINTENANCE
HANDLEIDING VOOR GEBRUIK EN ONDERHOUD
MANUAL DE USO E MANUTENÇÃO
VEJLEDNING OM BRUG OG VEDLIGEHOLDELSE
KÄYTTÖ- JA HUOLTO-OHJE
HEFTE FOR BRUK OG VEDLIKEHOLD
ANVÄNDAR- OCH UNDERHÅLLSHANDBOK
INSTRUKCJA OBSŁUGI I KONSERWACJI
РУКОВОДСТВО ПО ЭКСПЛУАТАЦИИ И ТЕХНИЧЕСКОМУ ОБСЛУЖИВАНИЮ
PŘÍRUČKA PRO POUŽITÍ A ÚDRŽBU
HASZNÁLATI ÉS KARBANTARTÁSI KÉZIKÖNYV
PRIROČNIK Z NAVODILI ZA UPORABO IN VZDRŽEVANJE
KULLANIM VE BAKIM KİTAPÇIĞI
KNJIŽICA O UPORABI I ODRŽAVANJU
NAUDOJIMO IR PRIEŽIŪROS KNYGELE
LIETOŠANAS UN TEHNISKĀS APKOPES GRĀMATINA
KASUTUS- JA HOOLDUSJUHEND
LIVRET DE UTILIZARE ŞI ÎNTREȚINERE
PRÍRUČKA PRE POUŽITIE A ÚDRŽBU
НАРЪЧНИК ЗА ИЗПОЛЗВАНЕ И ПОДДРЪЖКА
ІНСТРУКЦІЯ КОРИСТУВАЧА ТА ОБСЛУГОВУВАННЯ ОБЛАДНАННЯ
ΕΓΧΕΙΡΙΔΙΟ ΧΡΗΣΗΣ ΚΑΙ ΣΥΝΤΗΡΗΣΗΣ

en

it

de

es

fr

da

fi

no












pl




ru


cs

hu

BV 500-13
BV 500-13 R

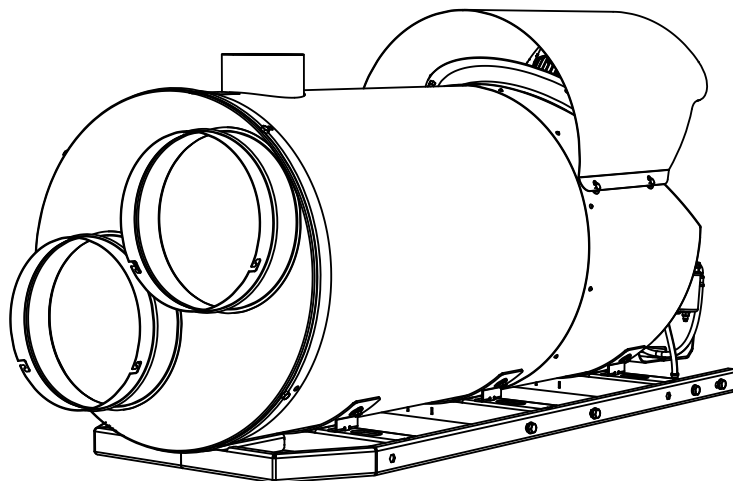
	BV 500-13...	BV 500-13...R
 MAX	150 kW-кВт 129.000 kcal/h-ккал/ч 512.000 Btu/h-БТЕ/ч	150 kW-кВт 129.000 kcal/h-ккал/ч 512.000 Btu/h-БТЕ/ч
 MAX	11,12 kg/h-кг/ч	11,12 kg/h-кг/ч
 MAX	2,75 GPH 60° STEINEN Type S	2,75 GPH 60° STEINEN Type S
	7.700 m³/h-м³/ч	5.000 m³/h-м³/ч
	DIESEL-KEROSENE дизель-керосин	DIESEL-KEROSENE дизель-керосин
	~220-240 V-B (-15%÷10%) 50 Hz-Гц 13 A 3 kW-кВт	~220-240 V-B (-15%÷10%) 50 Hz-Гц 14 A 3,2 kW-кВт
	174 PSI 1.200 kPa-кПа 12 bar-бар	174 PSI 1.200 kPa-кПа 12 bar-бар
	443 Pa-Па	770 Pa-Па
 Vers. A	144 kg-кг	150 kg-кг
 Vers. B	184 kg-кг	190 kg-кг
 Vers. C	224 kg-кг	230 kg-кг

SETTING FROM FACTORY		
	135 kW-кВт 116.000 kcal/h-ккал/ч 460.000 Btu/h-БТЕ/ч	135 kW-кВт 116.000 kcal/h-ккал/ч 460.000 Btu/h-БТЕ/ч
	2,50 GPH 60° STEINEN Type S	2,50 GPH 60° STEINEN Type S
	10,20 kg/h-кг/ч	10,20 kg/h-кг/ч

 **IMPORTANT:** In order to have a correct function you must use an electrical generator in class G3 or more (frequency variation $\pm 1\%$, tension variation $\pm 2\%$). The maximum power of electrical generator must be three time the nominal power of device that you must connect.

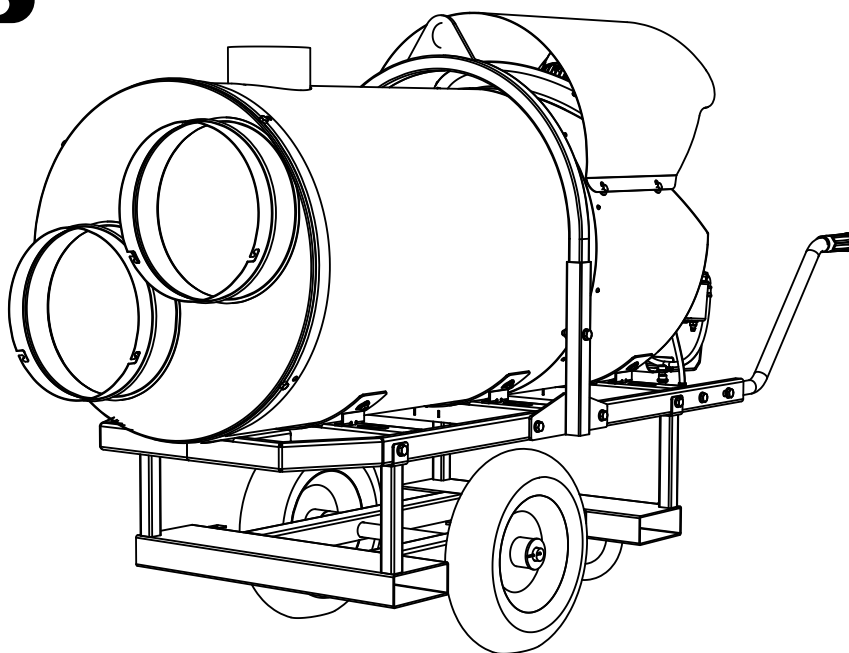
PICTURES - FIGURE - ABBILDUNGEN - FIGURAS - FIGURES - FIGUREN - FIGURAS - FIGURER - KUVAT - FIGURER - FIGUR - RYSUNKI - РИСУНКИ - OBRÁZKY - ÁBRÁK - SLIKE - ŞEKİLLER - SLIKE - PAVEIKSLĖLIAI - ΑΤΤΕΛΙ - JOONISED - IMAGINI - OBRÁZKY - ФИГУРА - МАЛЮНКИ - SLIKE - ΕΙΚΟΝΕΣ - 図 - СУРЕТТЕР

Vers. A



1

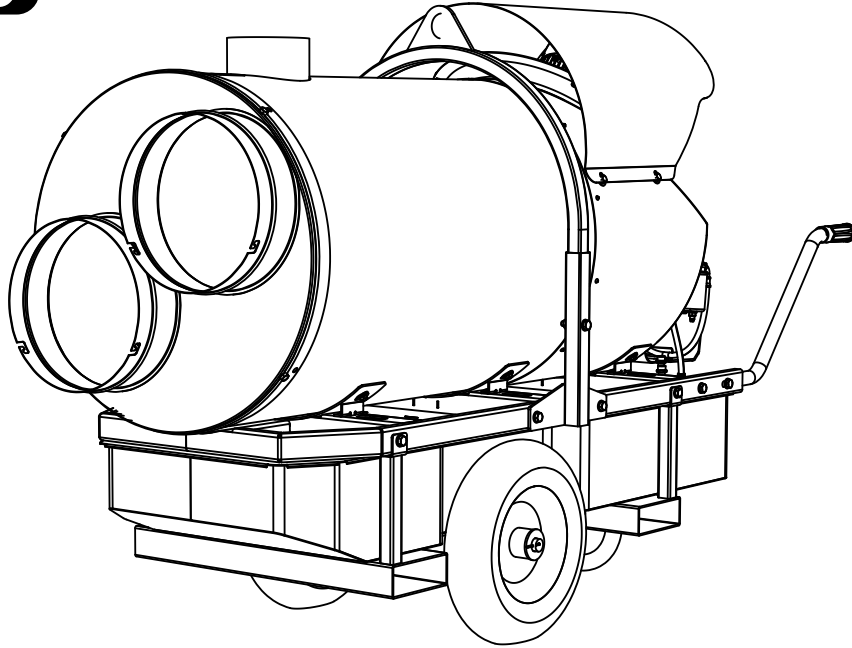
Vers. B



1

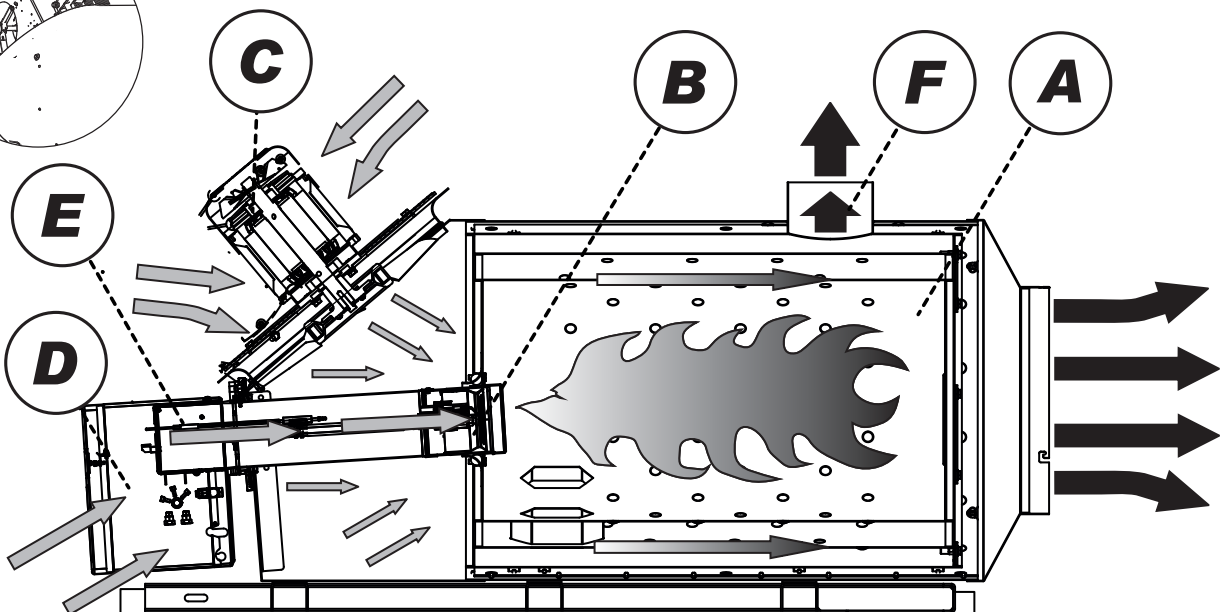
**PICTURES - FIGURE - ABBILDUNGEN - FIGURAS - FIGURES - FIGU-
REN - FIGURAS - FIGURER - KUVAT - FIGURER - FIGUR - RYSUN-
KI - РИСУНКИ - OBRÁZKY - ÁBRÁK - SLIKE - ŞEKİLLER - SLIKE
- PAVEIKSLĖLIAI - ΑΤΤΕΛΙ - JOONISED - IMAGINI - OBRÁZKY -
ФИГУРА - МАЛЮНКИ - SLIKE - EIKONES - ❏ - СУРЕТТЕР**

Vers. C



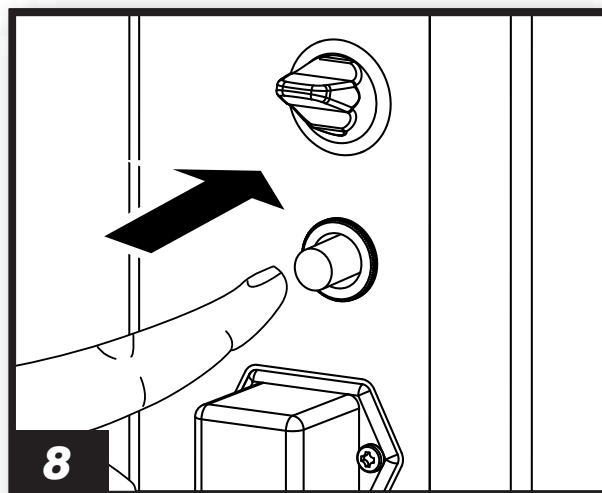
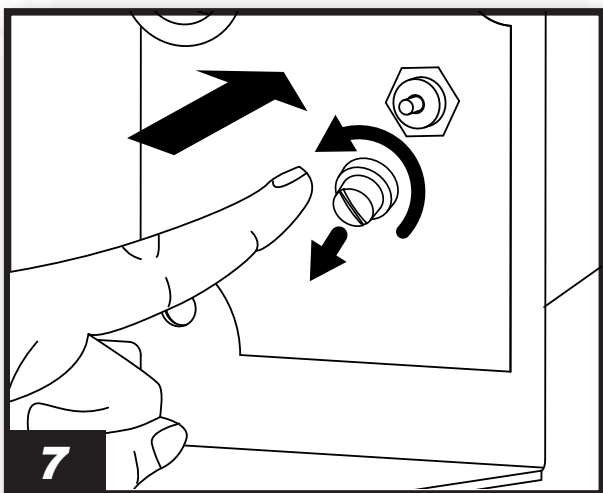
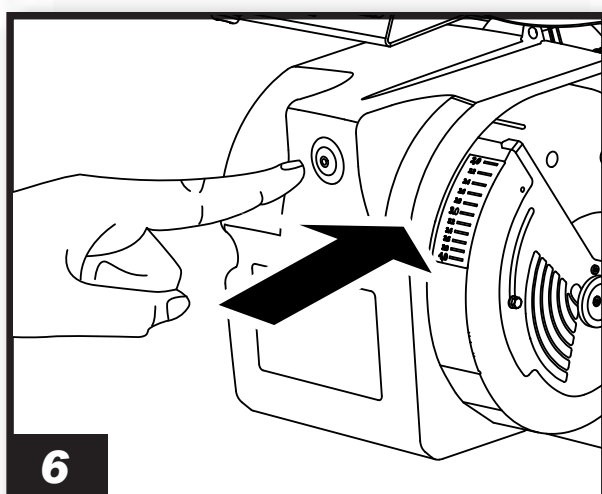
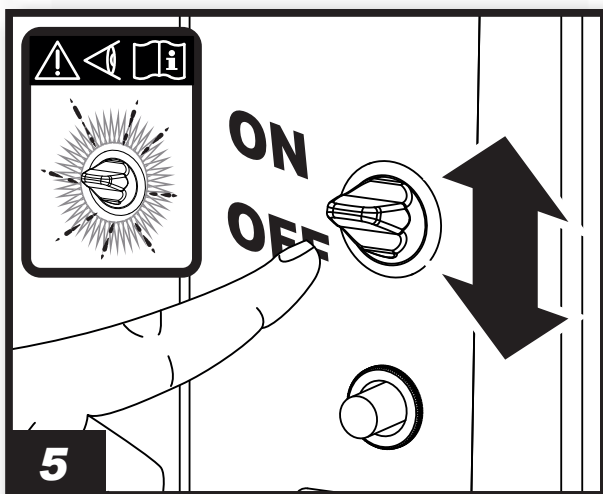
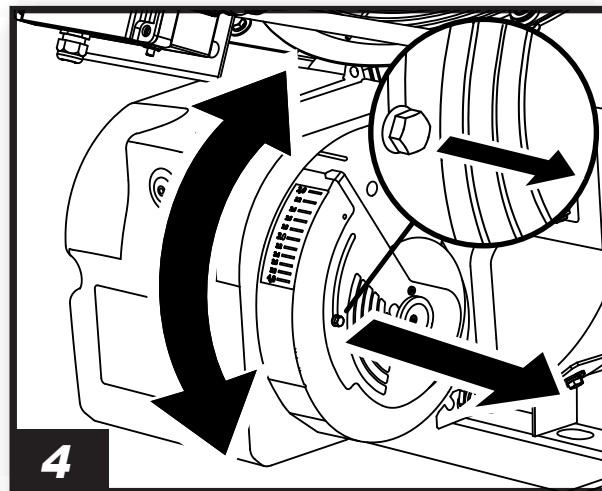
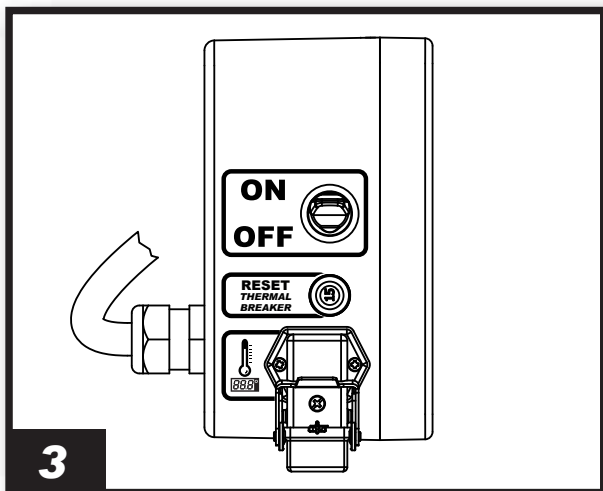
1

Vers. Radial

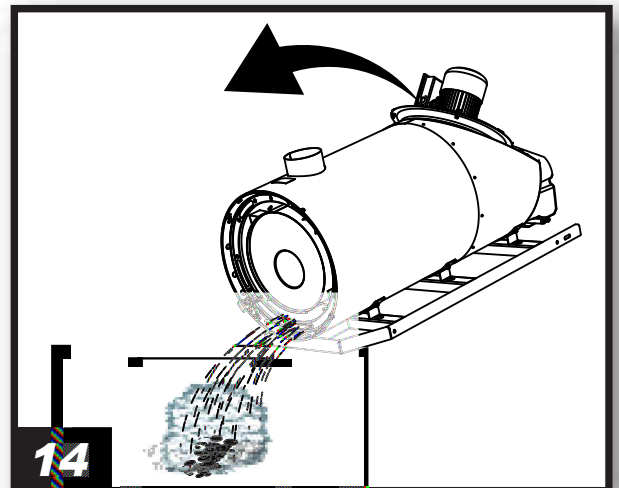
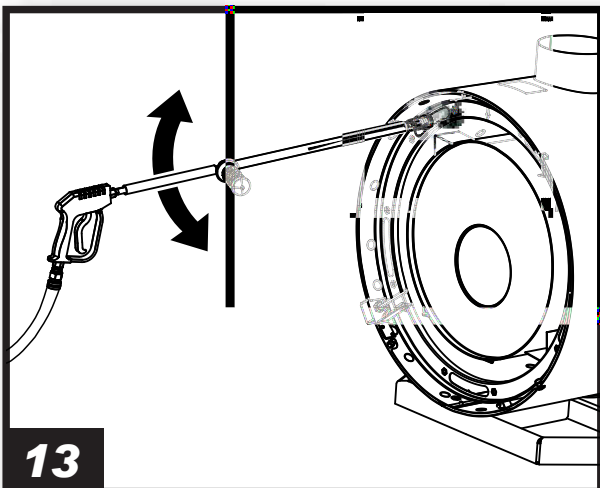
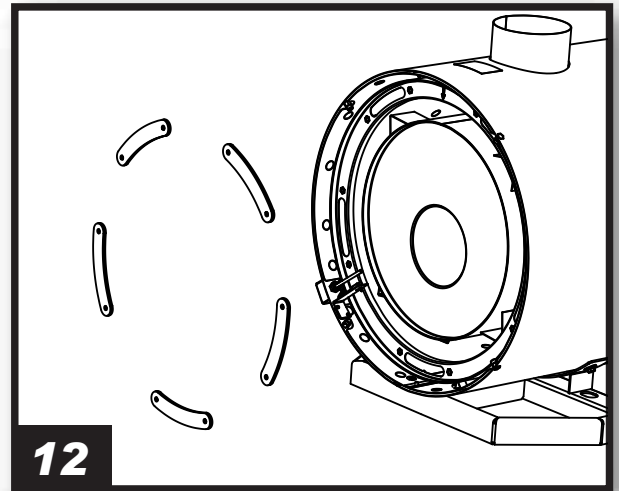
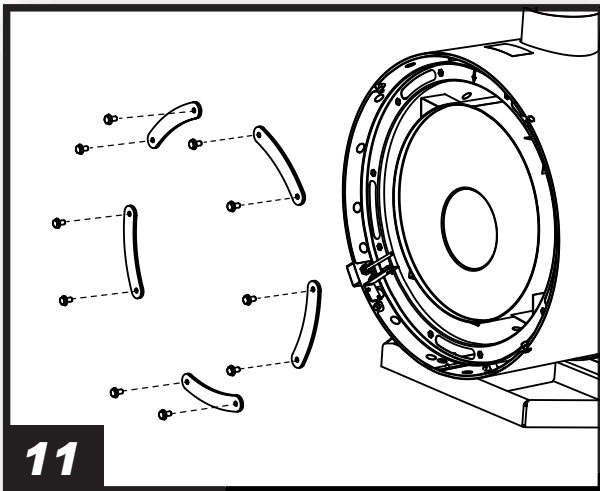
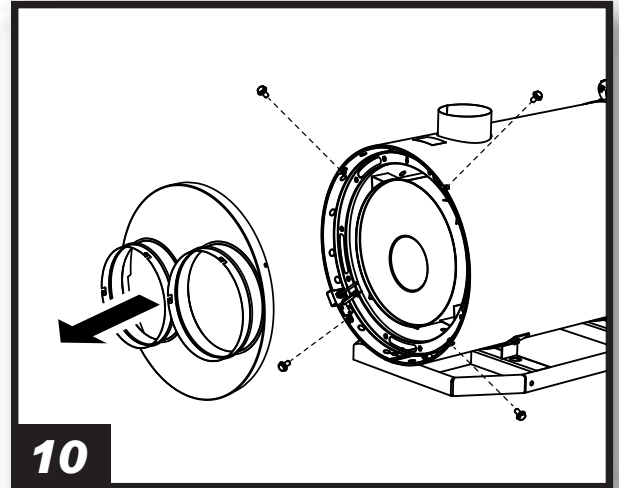
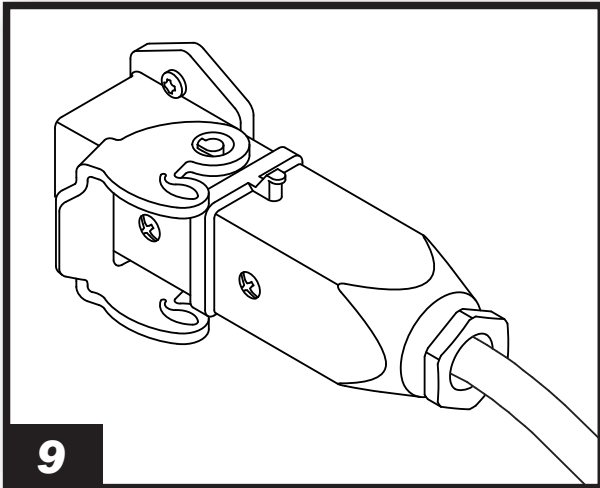


2

PICTURES - FIGURE - ABBILDUNGEN - FIGURAS - FIGURES - FIGUREN - FIGURAS - FIGURER - KUVAT - FIGURER - FIGUR - RYSUNKI - РИСУНКИ - OBRÁZKY - ÁBRÁK - SLIKE - ŞEKİLLER - SLIKE - PAVEIKSLĖLIAI - ΑΤΤΕΛΙ - JOONISED - IMAGINI - OBRÁZKY - ФИГУРА - МАЛЮНКИ - SLIKE - ΕΙΚΟΝΕΣ - 図 - СУРЕТТЕР



PICTURES - FIGURE - ABBILDUNGEN - FIGURAS - FIGURES - FIGUREN - FIGURAS - FIGURER - KUVAT - FIGURER - FIGUR - RYSUNKI - РИСУНКИ - OBRÁZKY - ÁBRÁK - SLIKE - ŞEKİLLER - SLIKE - PAVEIKSLĖLIAI - ΑΤΤΕΛΙ - JOONISED - IMAGINI - OBRÁZKY - ФИГУРА - МАЛЮНКИ - SLIKE - EIKONES - 図 - СУРЕТТЕР



IMPORTANT: READ AND UNDERSTAND THIS OPERATIONAL MANUAL PRIOR TO ASSEMBLING, STARTING UP OR CONDUCTING MAINTENANCE ON THIS HEATER. USING THE HEATER INCORRECTLY CAN CAUSE SERIOUS OR FATAL INJURIES. KEEP THIS MANUAL FOR FURTHER REFERENCE.

1. DESCRIPTION

(Pic. 1) This heater is equipped with a dedicated burner, a combustion chamber with flue gas evacuation to the outside and a high performance hot air handling fan. The air is heated by thermal energy produced by combustion transmitted by means of thermal exchange with the metal surfaces of the combustion chamber and flue gas pass.

The path of the ventilated air and flue gas is separated by metal surfaces joined by welds and sealing gaskets. The combustion products are conveyed to an exhaust duct. This must be connected to a chimney or flue large enough to evacuate the flue gas. Combustion air, namely the air required for combustion, is drawn directly from the burner, which draws it from the surrounding environment. Its size and work conditions must guarantee an appropriate air exchange.

2. SAFETY INFORMATION

WARNINGS

⚠ IMPORTANT: This appliance is not suitable for use by persons (including children) with reduced physical, sensory or mental capacities or who lack experience or knowledge unless supervised by a person responsible for their safety. Children must be supervised to make sure they do not play with the appliance.

⚠ DANGER: Suffocation by carbon monoxide can be fatal.

The first symptoms of suffocation by carbon monoxide are similar to those of flu with headache, light-headedness

and/or nausea. These symptoms could be caused by faulty operation of the heater. **IF THESE SYMPTOMS OCCUR, GO OUTDOORS IMMEDIATELY** and have the heater repaired by an authorised technical support centre.

▶▶ 2.1. REFUELLING:

- 2.1.1. Personnel appointed to carry out refuelling must be qualified and fully familiar with the manufacturer's instructions and current regulations on how to refuel heaters safely.
- 2.1.2. Only use the type of fuel expressly specified on the technical data label applied to the heater.
- 2.1.3. The tanks used to store the fuel must be stored in a separate place.
- 2.1.4. Fuel tanks must be kept at a minimum distance from the heater, in accordance with current standards.
- 2.1.5. The fuel must be stored in an area where the floor does not allow it to penetrate or drip onto flames underneath it, which may ignite the fuel.
- 2.1.6. The fuel must be stored in accordance with current regulations.

▶▶ 2.2. SAFETY:

- 2.2.1. Check that the fire-fighting equipment is available and suitable to the potential of the heater.
- 2.2.2. Never use the heater in areas with petrol, paint solvents or other highly flammable vapours.
- 2.2.3. Comply with all local legislation and current regulations when using the heater.
- 2.2.4. Heaters used near tarpaulins, curtains or other similar covering materials must be a safe distance from them. It is advised to use fireproof covering material.

- 2.2.5. Only use in well-ventilated areas. Set-up a suitable opening in line with current standards, with the purpose of introducing fresh air from outdoors.
- 2.2.6. Power the heater only with current that has the voltage and frequency values specified on the technical data label applied to the heater.
- 2.2.7. Check correct earthing.
- 2.2.8. Only use extension cables that are earthed.
- 2.2.9. The electric power line of the heater must be equipped with an earthing system, residual current device and cut-off switch.
- 2.2.10. Recommended safety distances between the heater and flammable substances: front output = 2,5 m (8.5 ft.); on the side, at the top and at the back = 1,5 m (5 ft.).
- 2.2.11. Avoid fire hazards by placing the hot or functioning heater on a steady level surface.
- 2.2.12. Keep animals at a safe distance from the heater.
- 2.2.13. Disconnect the heater from the electric power supply when not in use.
- 2.2.14. When it is controlled by a thermostat, the heater can turn on at any time.
- 2.2.15. Never use the heater in frequently used rooms.
- 2.2.16. Never block the heater's air vent (rear) or the air outlet (front).
- 2.2.17. Never handle or conduct maintenance on the heater when it is hot, connected to the power supply or in operation.
- 2.2.18. Only use original kits to direct the air coming in and/or going out (where applicable).
- 2.2.19. Keep the hot parts of the heater at a suitable distance from inflammable or thermolabile materials (including the power supply cable).
- 2.2.20. If the power supply cable is damaged, it must be replaced by an

authorised technical support centre to prevent any risk.

- 2.2.21. Use original spare parts when replacing the burner, strictly complying with indications regarding capacity, type of nozzles and pump pressure. An increase in burner power could damage the heater.

3. UNPACKING

WARNING: The packaging material is not a toy. Keep the plastic bag out of the reach of children; danger of suffocation!

- 3.1. Remove all packaging materials used to package and ship the heater. Dispose of them in compliance with current standards.
- 3.2. The heater is placed on a platform. Lift it delicately using hooks and chains. Use the holes on the structure to lift the heater.
- 3.3. Check for any damage undergone during transport. If the heater appears to be damaged, immediately inform the authorised technical support centre.

4. OPERATING PRINCIPLES

A. Combustion chamber, **B.** Combustion head, **C.** Fan, **D.** Burner, **E.** Control equipment, **F.** Chimney.

(Pic. 2) The burner pump aspirates the fuel from the tank and sends it to the pressurised nozzle where it is nebulised and mixed with comburent air in the combustion chamber. A spark triggers combustion while the waste fumes are expelled from the chimney. A series of sensors constantly checks the correct operation of the heater, stopping the cycle in the case of a fault. The fan, located at the rear of the heater, cools the combustion chamber and the flue gas pass, transferring the heat from the latter into the environment.

5. INSTALLATION INSTRUCTIONS

CAUTION: Closely follow all the operations described in this paragraph. Installation must only be carried out by professionally qualified personnel.

►► 5.1. ELECTRICAL CONNECTIONS:

CAUTION: The electric power line of the heater must be equipped with an earthing system, residual current device and cut-off switch.

The standard supply of the heater includes all the control and safety devices essential for its proper operation: electric panel, burner, manually reset safety thermostat are already connected.

During installation, prepare the power supply connection with cables having an appropriate cross-section in compliance with national standards in force and the technical data label applied to the heater.

NOTE: CHECK THE ELECTRIC CONNECTIONS BEFORE STARTING THE HEATER.

►► 5.2. OUTLET AIR DUCTING CONNECTION:

USE ONLY ORIGINAL KITS FOR DUCTING.

The outlet air ducting can be installed with the specific clamp or quick coupling.

►► 5.3. FLUE GAS EXHAUST CONNECTION:

Thermal efficiency and appropriate operation are directly linked to the correct draught of the flue gas exhaust chimney. It is recommended not to make elbows, which could get clogged, or reductions in the cross-section of the flue gas exhaust chimney. If the heater is not connected to an external flue gas exhaust chimney, it must be provided with an essentially vertical steel flue gas exhaust and a draught regulator, respecting the specifications provided in this technical manual.

6. FUEL

WARNING: The heater only works with DIESEL or KEROSENE.

Use only diesel or kerosene, to avoid the risk of fire or explosion. Never use petrol, naphtha, solvents for paints, alcohol or other highly inflammable fuels.

Use non-toxic, anti-freeze additives in case of very low temperatures.

It is recommended to use winter diesel oil below 5°C (41°F).

7. ANOMALIES

WARNING: Carefully read the "SAFETY INFORMATION" before switching on the heater.

IDENTIFY THE CONTROL PANEL OF THE HEATER (Pic. 3).

►► 7.1.1. SWITCH-ON:

- 7.1.1.1. Check if there is any fuel in the circuit.
- 7.1.1.2. Connect the heater to the mains (the luminous signal of the switch lights up, signalling the presence of voltage).
- 7.1.1.3. Adjust the air damper of the burner according to the table data (Pic. 4).
- 7.1.1.4. Place the start switch to ON (Pic. 5) (the burner starts first and after about one minute starts ventilation).

NOTE: DURING OPERATION, THE LUMINOUS SIGNAL OF THE SWITCH TURNS OFF. IF THE BURNER BLOCKS DUE TO A FAULT, THE LUMINOUS SIGNAL OF THE SWITCH STARTS FLASHING (ONE LONG FLASH FOLLOWED BY TWO SHORT FLASHES). **NOTE:** THE HEATER HAS A SENSOR THAT CONSTANTLY MONITORS THE OUTLET AIR TEMPERATURE [FOR NORMAL OPERATION, THE OUTLET AIR TEMPERATURE MUST BE BELOW 95°C (203°F)]. IF THE OUTLET AIR TEMPERATURE EXCEEDS 95°C (203°F), THE HEATER TURNS OFF THE BURNER (THE LUMINOUS SIGNAL OF

THE SWITCH STARTS FLASHING). WHEN THE TEMPERATURE RETURNS BELOW 95°C (203°F), THE BURNER AUTOMATICALLY REACTIVATES.

►► 7.1.2. SWITCH-OFF:

IMPORTANT: Never unplug the heater to switch it off.

IMPORTANT: Never unplug the heater before it is completely off.

Place the start switch to OFF (Pic. 5), and wait for the heater to stop completely. When the outlet air temperature drops below 50°C (122°F), the fan turns off and the luminous signal of the switch turns on to indicate the presence of voltage (stand-by condition).

►► 7.1.3. RESET:

During normal operation, the heater could block (for example when fuel is missing). In this case the heater must be reset:

- 7.1.3.1. RESETTING THE BURNER: Identify and remove the cause of the block. To reactivate the burner, press the reset button on it for at least 10 seconds (Pic. 6).
- 7.1.3.2. RESETTING THE SAFETY THERMOSTAT: Identify and remove the cause that triggered the safety thermostat. Press the reset button located at the back of the heater all the way (Pic. 7).
- 7.1.3.3. RESETTING THE THERMAL CIRCUIT BREAKER: Identify and remove the cause of intervention of the thermal circuit breaker. Press the reset button to release it (Pic. 8).

8. CONNECTING THE ROOM THERMOSTAT

To connect the room thermostat, remove the plug of the dedicated socket and connect the room thermostat (optional) (Pic. 9).

9. STORAGE AND TRANSPORT

Before handling, the heater must be switched off following the proper procedure with the power disconnected. Wait for the heater to cool.

Before handling, make sure that the support used to move the heater is capable of bearing its weight (the weight is displayed on the technical specification of the appliance). Do not attempt to lift or move the heater without the aid of suitable equipment (this operation must be carried out with the utmost attention to avoid personal harm or damage to the heater).

10. MAINTENANCE

IMPORTANT: Before performing any maintenance or repairs, disconnect the power cable and make sure the heater is cold.

Periodic maintenance is recommended to keep the heater in good condition, avoiding possible failures or faults as far as possible.

►► 10.1. CLEANING THE COMBUSTION CHAMBER:

IMPORTANT: This operation can be carried out by contacting the authorised technical support centre.

It is recommended to clean the combustion chamber and flue gas duct at least once a year or when required to avoid problems regarding chimney draught and combustion. The combustion chamber is cleaned through the five inspection openings on the front of the heater.

Closely follow this sequence to perform cleaning (keep the screws and washers with care):

- 10.1.1. Remove the air ducting cone by removing the screws which secure it to the heater (Pic. 10).
- 10.1.2. Remove the plates, which close the inspection openings, by removing the screws (Pic. 11).

- 10.1.3. Remove the gaskets installed and do not reuse them. Only use new and original gaskets (Pic. 12).
- 10.1.4. Spray high pressure water inside the chamber through the inspection openings (Pic. 13). When washing, move the nozzle in various positions so the water reaches all the slots of the combustion chamber.
- 10.1.5. Lift the combustion chamber from the back to empty as much water as possible from inside the chamber (this operation must be carried out with the utmost attention to avoid personal harm or damaging the heater) (Pic. 14).
- 10.1.6. Reassemble the heater performing the sequence of operations in the opposite order, replacing the gaskets with original spare parts.

NOTE: BEFORE SWITCHING THE HEATER BACK ON, MAKE SURE AS MUCH WATER AS POSSIBLE HAS BEEN ELIMINATED FROM INSIDE THE COMBUSTION CHAMBER TO AVOID SERIOUS DAMAGE.

▶▶ 10.2. CLEANING THE FAN:

Use compressed air for routine cleaning of the fan, blowing the air through the rear grille.

▶▶ 10.3. CLEANING THE BURNER:

IMPORTANT: This operation can be carried out by contacting the authorised technical support centre.

Read and understand the specific manual to clean the burner.

11. PREVENTIVE MAINTENANCE SCHEDULE

WARNING: BEFORE PERFORMING ANY MAINTENANCE OR REPAIRS, DISCONNECT THE POWER CABLE AND MAKE SURE THAT THE HEATER IS COLD.

COMPONENT	MAINTENANCE FREQUENCY	MAINTENANCE PROCEDURE
Safety thermostat	Yearly check and/or when required	Contact the authorised technical support centre
Nozzle	Replace yearly and/or when required	Contact the authorised technical support centre
Electrical system	Yearly check and/or when required	Contact the authorised technical support centre
Fan	Yearly cleaning and/or when required	Contact the authorised technical support centre
Motor	Yearly check and/or when required	Contact the authorised technical support centre
Fuel pump	Yearly check and/or when required	Contact the authorised technical support centre
Combustion chamber	Yearly check and/or when required	Contact the authorised technical support centre

12. TROUBLESHOOTING

PROBLEM	POSSIBLE CAUSE	POSSIBLE SOLUTION
The heater does not start or does not remain on	<ol style="list-style-type: none">1. No power supply2. Interrupted power cable3. Electronics need to be reset or are faulty4. Incorrect setting of the room thermostat (if applicable)5. No fuel6. Foreign substances in the fuel circuit	<ol style="list-style-type: none">1a. Check that there is electric power1b. Check that the heater is connected to the correct power supply1c. Contact the authorised technical support centre2. Contact the authorised technical support centre3a. Reset the heater3b. Contact the authorised technical support centre4. Set the room thermostat to a temperature higher than the temperature of the working environment5. Refuel and, if necessary, reset the heater6. Contact the authorised technical support centre
The heater generates smoke during operation	<ol style="list-style-type: none">1. Foreign substances in the fuel circuit2. Obstruction of inlet air vent	<ol style="list-style-type: none">1. Contact the authorised technical support centre2. Remove all possible obstructions from the rear grille
The heater does not switch off	<ol style="list-style-type: none">1. Electronics are faulty	<ol style="list-style-type: none">1. Contact the authorised technical support centre

IMPORTANTE: LEGGERE E COMPRENDERE QUESTO MANUALE OPERATIVO PRIMA DI EFFETTUARE L'ASSEMBLAGGIO, LA MESSA IN FUNZIONE O LA MANUTENZIONE DI QUESTO RISCALDATORE. L'USO ERRATO DEL RISCALDATORE PUÒ CAUSARE LESIONI GRAVI O FATALI. CONSERVARE QUESTO MANUALE A TITOLO DI FUTURO RIFERIMENTO.

1. DESCRIZIONE

(Fig. 1) Questo riscaldatore è provvisto di bruciatore dedicato, di una camera di combustione provvista di evacuazione dei fumi all'esterno e di un ventilatore di movimentazione d'aria calda ad alte prestazioni. L'aria viene riscaldata per mezzo dell'energia termica prodotta dalla combustione che le viene trasmessa tramite scambio termico con le superfici metalliche della camera di combustione e del giro-fumi. Il percorso dell'aria di ventilazione e dei fumi sono separati da superfici metalliche unite da saldature e guarnizioni a tenuta. I prodotti della combustione, sono convogliati ad un condotto di scarico; quest'ultimo deve essere collegato ad un camino o canna fumaria avente dimensioni tali da garantire l'evacuazione dei fumi. L'aria comburente, ossia quella necessaria alla combustione, viene aspirata direttamente dal bruciatore, che la preleva dall'ambiente circostante; le dimensioni di quest'ultimo e le condizioni di lavoro, devono essere tali da garantire un adeguato ricambio d'aria.

2. INFORMAZIONI SULLA SICUREZZA AVVERTENZE

⚠ IMPORTANTE: Questo apparecchio non è adatto all'uso da parte di persone (inclusi bambini) con capacità fisiche, sensoriali e mentali ridotte, o inesperte, a meno che non vengano supervisionate da una persona responsabile per la loro sicurezza. I bambini devono essere controllati, per assicurarsi che non giochino con l'apparecchio.

⚠ PERICOLO: L'asfissia da ossido di carbonio può risultare fatale.

I primi sintomi di asfissia da ossido di carbonio assomigliano a quelli

dell'influenza, con cefalee, capogiri e/o nausea. Tali sintomi potrebbero essere causati dal funzionamento difettoso del riscaldatore. **NEL CASO SI PRESENTASSERO QUESTI SINTOMI, USCIRE IMMEDIATAMENTE ALL'APERTO e far riparare il riscaldatore dal centro assistenza tecnica autorizzato.**

▶▶2.1. RIFORNIMENTO:

- 2.1.1. Il personale incaricato del rifornimento, deve essere qualificato ed avere totale dimestichezza con le istruzioni del fabbricante e con la normativa vigente in merito al rifornimento sicuro dei riscaldatori.
- 2.1.2. Usare solamente il tipo di combustibile espressamente specificato nell'etichetta dati tecnici applicata al riscaldatore.
- 2.1.3. Le cisterne di magazzinaggio del carburante devono trovarsi in una struttura separata.
- 2.1.4. Tutti i serbatoi del combustibile, devono trovarsi ad una distanza minima di sicurezza dal riscaldatore, secondo le norme vigenti.
- 2.1.5. Il combustibile va conservato in locali il cui pavimento non permetta la penetrazione ed il gocciolio dello stesso su fiamme sottostanti, che possano causarne l'accensione.
- 2.1.6. La conservazione del combustibile va effettuata in conformità alla normativa vigente.

▶▶2.2. SICUREZZA:

- 2.2.1. Verificare che i dispositivi antincendio siano disponibili e adeguati alle potenzialità del riscaldatore.
- 2.2.2. Non usare mai il riscaldatore in locali nei quali siano presenti benzina, solventi per vernici o altri vapori altamente infiammabili.
- 2.2.3. Durante l'uso del riscaldatore, attenersi a tutte le ordinanze locali ed alla normativa vigente.

- 2.2.4. I riscaldatori usati in prossimità di teloni, tende o altri materiali simili di copertura, devono essere situati a distanza di sicurezza da essi. Si consiglia anche di usare materiali di copertura di tipo ignifugo.
- 2.2.5. Usare solamente in aree ben ventilate. Predisporre un'apertura adeguata secondo le norme vigenti, allo scopo di immettere aria fresca dall'esterno.
- 2.2.6. Alimentare il riscaldatore solamente con corrente avente tensione e frequenza specificate nell'etichetta dati tecnici applica al riscaldatore.
- 2.2.7. Verificare la corretta messa a terra.
- 2.2.8. Usare solamente prolunghe con cavo di massa.
- 2.2.9. La linea elettrica di alimentazione del riscaldatore deve essere provvista di messa a terra, di interruttore magnetotermico con differenziale e interruttore di sezionamento.
- 2.2.10. Distanze minime di sicurezza, consigliate, intercorrenti tra il riscaldatore e le sostanze infiammabili sono: uscita anteriore = 2,5 m (8.5 ft.); di lato, in alto e sul retro = 1,5 m (5 ft.).
- 2.2.11. Porre il riscaldatore caldo o in funzione, su una superficie stabile e livellata, in modo da evitare i rischi di incendio.
- 2.2.12. Tenere gli animali a distanza di sicurezza dal riscaldatore.
- 2.2.13. Scollegare il riscaldatore dall'alimentazione elettrica, quando non lo si usa.
- 2.2.14. Quando è controllato da un termostato, il riscaldatore può accendersi in qualsiasi momento.
- 2.2.15. Non usare mai il riscaldatore in stanze frequentemente abitate.
- 2.2.16. Non bloccare mai la presa dell'aria (lato posteriore), né l'uscita dell'aria (lato anteriore) del riscaldatore.
- 2.2.17. Quando il riscaldatore è caldo o collegato all'alimentazione elettrica o in funzione, non deve mai essere maneggiato, né soggetto ad alcun intervento di manutenzione.
- 2.2.18. Evitare di canalizzare l'aria in entrata e/o in uscita se non con kit originali (dove previsto).
- 2.2.19. Mantenere ad una adeguata distanza materiali infiammabili o termolabili (compreso il cavo di alimentazione) dalle parti calde del riscaldatore.
- 2.2.20. Se il cavo di alimentazione risulta danneggiato, deve essere sostituito dal centro assistenza tecnica autorizzato, in modo da prevenire ogni rischio.
- 2.2.21. In caso di sostituzione del bruciatore, utilizzare ricambi originali, rispettare scrupolosamente quanto previsto per portata, tipo degli ugelli e pressione pompa. Un aumento della potenza del bruciatore potrebbe danneggiare il riscaldatore.

3. DISIMBALLAGGIO

AVVERTENZA: Il materiale della confezione non è un giocattolo per bambini. Tenere il sacchetto di plastica lontano dalla portata dei bambini; pericolo di soffocamento!

- 3.1. Rimuovere tutti i materiali di imballaggio usati per confezionare e spedire il riscaldatore. Smaltirli secondo le norme vigenti.
- 3.2. Il riscaldatore è posto sulla pedana, sollevarlo delicatamente utilizzando ganci e catene. Per sollevare il riscaldatore utilizzare i fori posti sulla struttura.
- 3.3. Controllare eventuali danni subiti durante il trasporto. Se il riscaldatore appare danneggiato, informare immediatamente il centro di assistenza tecnica autorizzato.

4. PRINCIPI DI FUNZIONAMENTO

A. Camera di combustione, **B.** Testa di combustione, **C.** Ventilatore, **D.** Bruciatore, **E.** Apparecchiatura di controllo, **F.** Camino.

(Fig. 2) La pompa del bruciatore, aspira il combustibile dal serbatoio e lo invia a l'ugello in pressione dove viene nebulizzato e miscelato all'aria comburente nella camera di combustione. Una scintilla innesca la combustione mentre i fumi di scarto vengono espulsi dal camino. Una serie di sensori verificano costantemente il corretto funzionamento del riscaldatore, arrestando il ciclo in caso

di anomalie. Il ventilatore, posizionato nella parte posteriore del riscaldatore, ha lo scopo di raffreddare la camera di combustione ed il giro-fumi, trasferendo il calore da questi ultimi all'ambiente.

5. ISTRUZIONI PER L'INSTALLAZIONE

ATTENZIONE: Seguire scrupolosamente tutte le operazioni descritte in questo paragrafo. L'installazione deve essere eseguita solo da personale professionalmente qualificato.

►► 5.1. COLLEGAMENTI ELETTRICI:

ATTENZIONE: La linea elettrica di alimentazione del riscaldatore deve essere provvista di messa a terra, di interruttore magnetotermico con differenziale e interruttore di sezionamento.

La dotazione di serie del riscaldatore comprende tutti i dispositivi di controllo e di sicurezza indispensabili per il suo corretto funzionamento: quadro elettrico, bruciatore, termostato di sicurezza a riarmo manuale sono già collegati.

Durante l'installazione va predisposto l'allacciamento alla alimentazione elettrica, da eseguirsi mediante cavi di opportuna sezione in conformità a quanto prescritto nelle normative nazionali vigenti e nell'etichetta dati tecnici applicata al riscaldatore.

NOTA: PRIMA DI AVVIARE IL RISCALDATORE, È COMUNQUE OPPORTUNO CONTROLLARE I COLLEGAMENTI ELETTRICI.

►► 5.2. COLLEGAMENTO

CANALIZZAZIONE ARIA IN USCITA: PER LA CANALIZZAZIONE UTILIZZARE SOLO KIT ORIGINALI.

L'installazione della canalizzazione dell'aria in uscita, può essere effettuata con l'apposita stringa di serraggio, oppure con l'apposito aggancio rapido.

►► 5.3. COLLEGAMENTO SCARICO FUMI:

L'efficienza termica e il funzionamento appropriato sono direttamente connesse al corretto tiraggio del camino scarico fumi. Si

consiglia di non formare né angoli otturabili né apportate riduzioni della sezione del camino di scarico fumi. Il riscaldatore deve essere dotato di uno scarico fumi prevalentemente verticale in acciaio e di un regolatore tiraggio, qualora esso non sia collegato ad un camino di scarico fumi esterno, rispettando le specifiche riportate in questo manuale tecnico.

6. COMBUSTIBILE

AVVERTENZA: Il riscaldatore funziona solo con **DIESEL** o **KEROSENE**.

Usare solamente diesel o kerosene. Per evitare rischi di incendio o di esplosione, non fare mai uso di benzina, nafta, solventi per vernici, alcool o altri combustibili altamente infiammabili.

Usare additivi antigelo non tossici in caso di temperature molto basse.

Si consiglia di utilizzare gasolio invernale al di sotto dei 5°C (41°F).

7. FUNZIONAMENTO

AVVERTENZA: Leggere attentamente le "INFORMAZIONI SULLA SICUREZZA", prima di accendere il riscaldatore.

IDENTIFICARE IL PANNELLO COMANDI DEL RISCALDATORE (Fig. 3).

►► 7.1.1. ACCENSIONE:

- 7.1.1.1. Controllare la presenza di combustibile nel circuito.
- 7.1.1.2. Collegare il riscaldatore alla rete elettrica (il segnale luminoso dell'interruttore si accende, segnalando la presenza di tensione).
- 7.1.1.3. Regolare la serranda aria del bruciatore secondo i dati in tabella (Fig. 4).
- 7.1.1.4. Posizionare su ON l'interruttore di accensione (Fig. 5) (prima si avvia il bruciatore e dopo circa un minuto inizia la ventilazione).

NOTA: DURANTE IL FUNZIONAMENTO IL SEGNALE LUMINOSO DELL'INTERRUTTORE SI SPENDE. NEL CASO DI BLOCCO DEL BRUCIATORE DOVUTO A UN ANOMALIA, IL SEGNALE LUMINOSO DELL'INTERRUTTORE INIZIA A

LAMPEGGIARE (UN LAMPEGGIO LUNGO SEGUITO DA DUE LAMPEGGI CORTI).
 NOTA: IL RISCALDATORE HA UN SENSORE CHE MONITORIZZA COSTANTEMENTE LA TEMPERATURA DELL'ARIA IN USCITA [PER UN NORMALE FUNZIONAMENTO, LA TEMPERATURA DELL'ARIA IN USCITA DEVE ESSERE AL DI SOTTO DEI 95°C (203°F)]. SE LA TEMPERATURA DELL'ARIA IN USCITA DOVESSE SUPERARE I 95°C (203°F), IL RISCALDATORE SPEGNE IL BRUCIATORE (IL SEGNALE LUMINOSO DELL'INTERRUTTORE INIZIA A LAMPEGGIARE). QUANDO LA TEMPERATURA RITORNA SOTTO I 95°C (203°F), IL BRUCIATORE SI RIATTIVA AUTOMATICAMENTE.

►► 7.1.2. SPEGNIMENTO:

IMPORTANTE: Non staccate mai la spina di alimentazione elettrica per spegnere il riscaldatore.

IMPORTANTE: Non staccate mai la spina di alimentazione elettrica prima che il riscaldatore sia completamente spento.

Posizionare su OFF l'interruttore di accensione (Fig. 5), ed attendere che il riscaldatore si arresti completamente. Quando la temperatura dell'aria in uscita scende al di sotto di 50°C (122°F), il ventilatore si spegne e il segnale luminoso dell'interruttore si accende per segnalare la presenza di tensione (condizione di riposo).

►► 7.1.3. RIPRISTINO:

Durante il normale funzionamento può capitare che il riscaldatore vada in blocco (per esempio per la mancanza di combustibile), in questo caso il riscaldatore deve essere ripristinato:

- 7.1.3.1. RIPRISTINO DEL BRUCIATORE: Identificare e rimuovere la causa che a provocato il blocco, per riattivare il bruciatore premere per almeno dieci secondi il pulsante di ripristino posto sul bruciatore (Fig. 6).
- 7.1.3.2. RIPRISTINO DEL TERMOSTATO DI SICUREZZA: Identificare e rimuovere la causa che a fatto scattare il termostato di sicurezza, quindi premere a fondo il pulsante di riarmo posto nella parte posteriore del riscaldatore (Fig. 7).
- 7.1.3.3. RIPRISTINO DEL DISGIUNTORE TERMICO: Identificare e rimuovere la causa

che a provocato l'intervento del disgiuntore termico, quindi premere sul pulsante di ripristino per sbloccarlo (Fig. 8).

8. COLLEGAMENTO TERMOSTATO AMBIENTE

Per il collegamento del termostato ambiente, rimuovere il tappo della presa dedicata e connettere il termostato ambiente (optional) (Fig. 9).

9. CONSERVAZIONE E TRASPORTO

Prima di qualsiasi movimentazione il riscaldatore deve essere spento secondo la giusta procedura e scollegato dall'alimentazione elettrica. Attendere che il riscaldatore si sia adeguatamente raffreddato. Prima di effettuare qualsiasi movimentazione assicuratevi che il supporto utilizzato per lo spostamento del riscaldatore sia in grado di sopportare il peso (il peso è riportato sulla specifica tecnica dell'apparecchio). Non tentate di alzare o spostare il riscaldatore senza l'ausilio di macchinari adatti allo scopo (questa operazione va eseguita con la massima attenzione al fine di evitare pericolo per le persone e danni al riscaldatore).

10. MANUTENZIONE

IMPORTANTE: Prima di effettuare qualsiasi manutenzione o riparazione, scollegare il cavo di alimentazione elettrica, ed assicurarsi che il riscaldatore sia freddo.

Per conservare al meglio il riscaldatore, evitando al massimo possibili anomalie o guasti, si consiglia di effettuare una regolare manutenzione periodica.

►► 10.1. PULIZIA DELLA CAMERA DI COMBUSTIONE:

IMPORTANTE: Questa manutenzione può essere svolta rivolgersi al centro di assistenza tecnica autorizzato.

E' consigliabile provvedere alla pulizia della camera di combustione e del giro-fumi almeno una volta all'anno e/o secondo l'esigenza, al

it fine di evitare problemi di tiraggio del camino e di combustione. La pulizia della camera di combustione si effettua attraverso cinque aperture di ispezione posizionate nella parte anteriore del riscaldatore.

Per effettuare la pulizia seguire scrupolosamente la seguente sequenza (conservando con cura viti e rondelle):

- 10.1.1. Rimuovere il cono per la canalizzazione dell'aria svitando le viti che lo fissano al riscaldatore (Fig. 10).
- 10.1.2. Rimuovere le piastre che chiudono le aperture di ispezione, svitando le viti (Fig. 11).
- 10.1.3. Rimuovere le guarnizioni installate e non riutilizzarle. Utilizzare solo guarnizioni nuove ed originali (Fig. 12).
- 10.1.4. Spruzzare acqua ad alta pressione all'interno della camera attraverso le aperture di ispezione (Fig. 13). Nel momento del lavaggio, inclinare la lancia in varie posizioni in modo da far arrivare l'acqua in tutte le fessure della camera di combustione.
- 10.1.5. Alzare la camera di combustione nella parte posteriore, al fine di eliminare quanta più acqua possibile dall'interno della camera stessa (questa operazione va

eseguita con la massima attenzione al fine di evitare pericolo per le persone e danni al riscaldatore) (Fig. 14).

- 10.1.6. Riasssemblare il riscaldatore eseguendo questa sequenza di operazioni al contrario, sostituendo le guarnizioni solo con ricambi originali.

NOTA: PRIMA DI RIACCENDERE IL RISCALDATORE, ASSICURARSI DI AVER ELIMINATO QUANTA PIÙ ACQUA POSSIBILE DALL'INTERNO DELLA CAMERA DI COMBUSTIONE AL FINE DI EVITARE GRAVI DANNI.

▶▶ 10.2. PULIZIA DEL VENTILATORE:

Per la pulizia ordinaria della ventola si può ricorrere all'aria compressa, soffiando l'aria attraverso la griglia posteriore.

▶▶ 10.3. PULIZIA DEL BRUCIATORE:

IMPORTANTE: Questa manutenzione può essere svolta rivolgersi al centro di assistenza tecnica autorizzato.

Per quanto riguarda la pulizia del bruciatore, leggere e comprendere il manuale specifico.

11. PROGRAMMA DI MANUTENZIONE PREVENTIVA

AVVERTENZA: PRIMA SI EFFETTUARE QUALSIASI MANUTENZIONE O RIPARAZIONE, SCOLLEGARE IL CAVO DI ALIMENTAZIONE ELETTRICA, ED ASSICURARSI CHE IL RISCALDATORE SIA FREDDO.

COMPONENTE	FREQUENZA MANUTENZIONE	PROCEDURA MANUTEZIONE
Termostato di sicurezza	Verifica annuale e/o a seconda delle necessità	Rivolgersi al centro di assistenza tecnica autorizzato
Ugello	Sostituzione annuale e/o a seconda delle necessità	Rivolgersi al centro di assistenza tecnica autorizzato
Impianto elettrico	Verifica annuale e/o a seconda delle necessità	Rivolgersi al centro di assistenza tecnica autorizzato
Ventilatore	Pulizia annuale e/o a seconda delle necessità	Rivolgersi al centro di assistenza tecnica autorizzato
Motore	Verifica annuale e/o a seconda delle necessità	Rivolgersi al centro di assistenza tecnica autorizzato
Pompa combustibile	Verifica annuale e/o a seconda delle necessità	Rivolgersi al centro di assistenza tecnica autorizzato
Camera di combustione	Verifica annuale e/o a seconda delle necessità	Rivolgersi al centro di assistenza tecnica autorizzato

12. INDIVIDUAZIONE PROBLEMA

PROBLEM	POSSIBLE CAUSE	POSSIBLE SOLUTIONE
Il riscaldatore non si avvia o non rimane acceso	<ol style="list-style-type: none">1. Mancanza alimentazione2. Cavo di alimentazione interrotto3. Elettronica da resettare o difettosa4. Impostazione errata del termostato ambiente (dove presente)5. Mancanza combustibile6. Presenza di sostanze estranee nel circuito del combustibile	<ol style="list-style-type: none">1a. Verificare la presenza di alimentazione elettrica1b. Verificare che il riscaldatore sia allacciato alla corretta alimentazione elettrica1c. Rivolgersi al centro di assistenza tecnica autorizzato2. Rivolgersi al centro di assistenza tecnica autorizzato3a. Resettare il riscaldatore3b. Rivolgersi al centro di assistenza tecnica autorizzato4. Agire sul termostato ambiente, impostandolo ad una temperatura superiore a quella dell'ambiente di lavoro5. Rifornire combustibile ed eventualmente resettare il riscaldatore6. Rivolgersi al centro di assistenza tecnica autorizzato
Il riscaldatore produce fumo durante il funzionamento	<ol style="list-style-type: none">1. Presenza di sostanze estranee nel circuito del combustibile2. Ostruzione della presa d'aria in entrata	<ol style="list-style-type: none">1. Rivolgersi al centro di assistenza tecnica autorizzato2. Rimuovere tutte le possibili ostruzioni della griglia posteriore
Il riscaldatore non si spegne	<ol style="list-style-type: none">1. Elettronica difettosa	<ol style="list-style-type: none">1. Rivolgersi al centro di assistenza tecnica autorizzato


WICHTIGER HINWEIS: DIESE BEDIENUNGSANLEITUNG MUSS VOR ZUSAMMENBAU, INBETRIEBSETZUNG ODER WARTUNG DIESES HEIZGERÄTES GELESEN UND VERSTANDEN WORDEN SEIN. FALSCHER GEBRAUCH DES HEIZGERÄTES KANN ZU SCHWEREN VERLETZUNGEN FÜHREN, AUCH MIT TÖDLICHEM AUSGANG. BEWAHREN SIE DIESE ANLEITUNG ZUM SPÄTEREN NACHSCHLAGEN GUT AUF.


1. BESCHREIBUNG

(Abb. 1) Dieses Heizgerät ist mit einem zweckbestimmten Brenner, einer Brennkammer mit Rauchabzug ins Freie und einem hochleistungsfähigen Warmluftventilator ausgestattet. Die Luft wird von der durch die von der Verbrennung erzeugte Wärmeenergie erhitzt, die ihr durch den Wärmeaustausch der Metallplatten der Brennkammer und den Windungen des Rauchabzugs übertragen wird. Metalloberflächen, die durch Schweißung und Dichtungen vereint sind, sorgen für die separate Leitung von Gebläseluft und Rauch. Die Verbrennungsprodukte werden in ein Rohr geleitet, das mit einem Kamin oder einem Rauchabzugsrohr mit geeigneten Abmessungen zur Gewährleistung der Rauchaustragung verbunden ist. Die Brennluft, d.h. jene zur Verbrennung benötigte Luft wird direkt vom Brenner angesaugt, der sie vom umliegenden Raum entnimmt; die Ausmäße des Raums und die Arbeitsbedingungen müssen eine ausreichende Luftzirkulation garantieren.

2. SICHERHEITSHINWEISE

WARNHINWEISE

 **WICHTIGER HINWEIS:** Dieses Gerät ist nicht geeignet für den Gebrauch durch Personen (einschließlich Kinder) mit eingeschränkten körperlichen, sensorischen und geistigen Fähigkeiten, bzw. ohne ausreichende Fachkenntnis, es sei denn, sie werden durch eine für ihre Sicherheit verantwortliche Person beaufsichtigt. Kinder sind zu beaufsichtigen, damit sie nicht mit dem Gerät spielen.

 **GFAHR:** Ersticken durch Kohlenmonoxid kann tödlichen Ausgang haben.

Die ersten Anzeichen einer Kohlenmonoxidvergiftung sind denen von Grippe mit Kopfschmerzen, Schwindel bzw. Übelkeit ähnlich. Diese Symptome können auf eine Betriebsstörung des Heizgeräts zurückzuführen sein. **SOLLTEN DIESE SYMPTOME AUFTRETEN, SOFORT INS FREIE GEHEN** und das Heizgerät durch den autorisierten Kundendienst reparieren lassen.

►► 2.1. NACHFÜLLENDES BRENNSTOFFS:

- 2.1.1. Das Nachfüllen des Brennstoffs ist ausgebildetem Personal vorbehalten, das mit den Anleitungen des Herstellers und mit den geltenden Gesetzen bezüglich des sicheren Nachfüllens der Heizgeräte voll vertraut ist.
- 2.1.2. Ausschließlich eine Brennstoffsorte verwenden, die am Heizkörper angebrachten technischen Datenschild angegeben ist.
- 2.1.3. Die Brennstofflagerbehälter müssen sich in einem separaten Gebäude befinden.
- 2.1.4. Alle Brennstofftanks müssen sich gemäß geltenden Vorschriften in einem sicheren Abstand vom Heizgerät befinden.
- 2.1.5. Der Brennstoff ist in Räumen zu lagern, deren Fußböden so abgedichtet sind, dass ein Eindringen und Tropfen des Brennstoffs auf offene Flammen darunter nicht möglich ist, denn dadurch könnte es zum Entzünden des Brennstoffs kommen.
- 2.1.6. Für Aufbewahrung des Brennstoffes sind die geltenden Normen zu befolgen.

►► 2.2. SICHERHEIT:

- 2.2.1. Sicherstellen, dass die Brandschutzeinrichtungen verfügbar und der Leistungsstärke des Heizgeräts angepasst sind.

- 2.2.2. Das Heizgerät niemals in Räumen benutzen, in denen sich Benzin, Lösungsmittel für Farben oder andere hoch entzündliche Dämpfe befinden.
- 2.2.3. Während des Betriebs des Heizgeräts sind alle örtlichen Bestimmungen und geltenden Vorschriften zu beachten.
- 2.2.4. Beim Betrieb der Geräte ist ein Sicherheitsabstand von Planen, Vorhängen oder ähnlichen Materialien einzuhalten. Es wird auch empfohlen, Abdeckungen aus nicht brennbarem Material zu verwenden.
- 2.2.5. Ausschließlich in gut belüfteten Räumen verwenden. Es ist eine nach den geltenden Vorschriften ausreichende Öffnung für die Zuführung von Frischluft von außen vorzusehen.
- 2.2.6. Die Stromversorgung des Heizgeräts muss die auf dessen Typenschild angegebene Spannung und Frequenz aufweisen.
- 2.2.7. Erdungsleitung überprüfen.
- 2.2.8. Ausschließlich Verlängerungen mit Erdungskabeln verwenden.
- 2.2.9. Die Netzstromleitung des Heizgeräts muss geerdet sein und mit einem Differential-Fehlerstromschutzschalter sowie mit einem Trennschalter ausgerüstet sein.
- 2.2.10. Empfohlene Mindest-Sicherheitsabstände zwischen Heizgerät und brennbaren Stoffen: Vorderseite = 2,5 m (8.5 ft.); seitlich, oben und hinten = 1,5 m (5 ft).
- 2.2.11. Das Heizgerät muss, wenn es heiß oder in Betrieb ist, auf einer stabilen und ebenen Fläche stehen, um Brandgefahr zu vermeiden.
- 2.2.12. Halten Sie Haustiere in einem sicheren Abstand vom Gerät.
- 2.2.13. Trennen Sie das Heizgerät vom Stromnetz, wenn Sie es nicht benutzen.
- 2.2.14. Bei Steuerung durch einen Thermostat kann das Heizgerät in jedem beliebigen Moment eingeschaltet werden.
- 2.2.15. Benutzen Sie das Heizgerät niemals in stark frequentierten Wohnräumen.
- 2.2.16. Niemals die Luftzufuhr (Rückseite) oder die Luftaustrittsöffnung (Vorderseite) des Heizgeräts verschließen.
- 2.2.17. Wenn das Heizgerät heiß oder an das Stromnetz angeschlossen oder in Betrieb ist, darf es niemals bewegt oder gewartet werden.

- 2.2.18. Die Kanalisierung der eintretenden und/oder austretenden Luft nur mit Original-Kit (wovorgesehen) durchführen.
- 2.2.19. Zwischen brennbaren bzw. wärmeempfindlichen Stoffen (einschließlich des Netzkabels) und den heißen Teilen des Heizgeräts ist ein ausreichender Abstand einzuhalten.
- 2.2.20. Wenn das Netzkabel beschädigt ist, muss es durch den autorisierten Kundendienst ausgetauscht werden, um jeder Art von Gefahr vorzubeugen.
- 2.2.21. Für einen allfälligen Austausch des Brenners Original-Ersatzteile verwenden und die Angaben hinsichtlich des Durchsatzes, Typs der Düsen und Pumpendruckes genau beachten. Eine Leistungserhöhung des Brenners könnte das Heizgerät beschädigen

3. AUSPACKEN

WARNUNG: Das Verpackungsmaterial ist kein Spielzeug für Kinder. Den Plastiksack von Kindern fern halten; Erstickungsgefahr!

- 3.1. Alle für Verpackung und Versand des Heizgeräts verwendeten Materialien müssen entfernt werden. Gemäß den geltenden Normen entsorgen.
- 3.2. Das Heizgerät ist auf einer Palette angebracht und ist behutsam unter Verwendung von Haken und Ketten anzuheben. Zum Anheben des Heizgeräts die an der Struktur ausgeführten Bohrungen verwenden.
- 3.3. Kontrollieren, ob Transportschäden vorliegen. Sollte das Heizgerät beschädigt sein, muss unmittelbar die autorisierte Kundendienststelle verständigt werden.

4. FUNKTIONSGRUNDSÄTZE

A. Brennkammer, **B.** Brennkopf, **C.** Ventilator, **D.** Brenner, **E.** Kontrolleinrichtung, **F.** Kamin.

(Abb. 2) Die Pumpe des Brenners saugt den Brennstoff vom Tank an und leitet ihn zur unter Druck stehenden Düse, wo er zerstäubt und mit der Brennluft in der Brennkammer gemischt wird. Der Brennvorgang wird durch einen Funken gestartet, während der Rauch vom Kamin ausgestoßen wird. Eine Reihe

Sensoren kontrollieren die korrekte Funktion des Heizgeräts und stoppen den Zyklus im Falle schwerer Störungen. Der rückseitig des Heizgeräts angebrachte Ventilator hat den Zweck, die Brennkammer und die Windungen des Rauchabzugs zu kühlen und die Wärme in den Raum zu leiten.

5. MONTAGEANLEITUNGEN

ACHTUNG: Sämtliche in diesem Abschnitt beschriebenen Arbeitsgänge genau befolgen. Die Montage ist ausschließlich beruflich ausgebildetem Personal vorbehalten.

►► 5.1. STROMANSCHLÜSSE:

ACHTUNG: Die Netzstromleitung des Heizgeräts muss geerdet sein und mit einem Differential-Fehlerstromschutzschalter sowie mit einem Trennschalter ausgerüstet sein.

Im Lieferumfang des Heizgeräts sind sämtliche Kontroll- und Sicherheitseinrichtungen enthalten, die für seinen einwandfreien Betrieb erforderlich sind: elektrischer Schaltschrank, Brenner, Sicherheitsthermostat mit manueller Rücksetzung sind bereits angeschlossen.

Während der Montage ist der Anschluss an das Stromnetz vorzusehen, der anhand von Kabeln mit geeignetem Querschnitt gemäß den national geltenden Normen und den Angaben des am Heizgerät angebrachten Typenschildes mit den technischen Daten vorzunehmen ist.

HINWEIS: VOR STARTEN DES HEIZGERÄTS SIND JEDENFALLS DIE ELEKTRISCHEN ANSCHLÜSSE ZU ÜBERPRÜFEN.

►► 5.2. ANSCHLUSS DER ABLUFT-KANALISIERUNG:

FÜR DIE KANALISIERUNG DARF AUSSCHLIESSLICH DAS ORIGINAL-KIT VERWENDET WERDEN.

Die Installation der Abluft-Kanalisation kann mithilfe des eigenen Klemmstrangs oder der eigenen Schnellkupplung durchgeführt werden.

►► 5.3. ANSCHLUSS AN DEN RAUCHABZUG:

Wärmeleistung und einwandfreier Betrieb hängen direkt von der ordnungsgemäßen Zügigkeit des Rauchabzugskamins ab. Es wird empfohlen, keine Winkel zu bilden, in

denen Verstopfungen auftreten könnten, sowie Verengungen des Rauchabzugskamins zu vermeiden. Das Heizgerät muss mit einem Rauchabzug aus Stahl, der vorwiegend vertikal verläuft, sowie mit einem Zugregler ausgerüstet sein, sofern es nicht an einen externen Rauchabzugskamin angeschlossen ist; hierbei sind die in diesem technischen Handbuch enthaltenen Angaben zu berücksichtigen.

6. BRENNSTOFF

WARNUNG: Das Heizgerät funktioniert ausschließlich mit DIESEL oder PETROLEUM.

Ausschließlich Diesel oder Petroleum verwenden. Zur Vorbeugung von Brand oder Explosion benutzen Sie niemals Benzin, Heizöl, Lösungsmittel für Farben, Alkohol oder andere hoch entzündliche Brennstoffe.

Verwenden Sie bei sehr niedrigen Temperaturen ungiftige Frostschutzzusätze.

Bei Temperaturen unter 5°C (41°F) ist Dieselkraftstoff für den Winter zu verwenden.

7. BETRIEB

WARNUNG: Vor dem Einschalten/Zünden des Heizgerätes sind die "SICHERHEITSHINWEISE" aufmerksam durchzulesen.

IDENTIFIZIERUNG DER BEDIENTAFEL DES HEIZGERÄTS (Abb. 3).

►► 7.1.1. INBETRIEBNAHME:

•••7.1.1.1. Kontrollieren Sie, ob sich Brennstoff im Kreislauf befindet.

•••7.1.1.2. Heizgerät an das Stromnetz anschließen (das Signal des Schalters tritt in den Leuchtzustand und zeigt somit das Anliegen von Spannung an).

•••7.1.1.3. Den Luftschieber des Brenners gemäß den Tabellendaten regeln (Abb. 4).

•••7.1.1.4. Den Einschalter auf ON stellen (Abb. 5) (zuerst schaltet sich der Brenner ein und nach etwa einer Minute beginnt die Ventilation).

HINWEIS: WÄHREND DES BETRIEBS ERLISCHT DAS LEUCHTSIGNAL DES SCHALTERS. FALLS DER BRENNER INFOLGE EINER STÖRUNG BLOCKIERT IST, BEGINNT DAS LEUCHTSIGNAL DES

SCHALTERS ZU BLINKEN (EINMAL LANG UND ZWEI MAL KURZ).

HINWEIS: DAS HEIZGERÄT HAT EINEN SENSOR, DER DIE TEMPERATUR DER AUSTRETENDEN LUFT ANDAUERND ÜBERWACHT [BEI NORMBETRIEB MUSS DIE TEMPERATUR DER AUSTRETENDEN LUFT UNTER 95°C (203°F) LIEGEN]. SOLLTE DIE TEMPERATUR DER AUSTRETENDEN LUFT DIE 95°C (203°F) ÜBERSCHREITEN, SCHALTET DAS HEIZGERÄT DEN BRENNER AUS (DAS LEUCHTSIGNAL DES SCHALTERS TRITT IN DEN BLINKZUSTAND). SOBALD DIE TEMPERATUR WIEDER UNTER 95°C (203°F) ABSINKT, WIRD DER BRENNER WIEDER AUTOMATISCH EINGESCHALTET.

►► 7.1.2. AUSSCHALTEN:

WICHTIGER HINWEIS: Zum Abschalten des Heizgeräts nie am Netzstecker ziehen.

WICHTIGER HINWEIS: Den Netzstecker nie herausziehen bevor das Heizgerät vollkommen ausgeschaltet ist.

Den Einschalter auf OFF stellen (Abb. 5) und warten bis das Heizgerät vollständig stillsteht. Wenn die Temperatur der austretenden Luft unter 50°C (122°F) absinkt, hält der Ventilator an und das Signal des Schalters tritt in den Leuchtzustand, um das Anliegen von Spannung zu melden (Ruhezustand).

►► 7.1.3. RÜCKSETZEN:

Es kann vorkommen, dass sich das Heizgerät während des normalen Betriebs blockiert (z.B. wegen Brennstoffmangel), in diesem Fall muss das Heizgerät rückgestellt werden:

•••7.1.3.1. RÜCKSTELLEN DES HEIZGERÄTS:

Die Ursache der Blockierung herausfinden und beseitigen; zum erneuten Einschalten des Heizgeräts ist die Rückstelltaste am Heizgerät (Abb. 6) zu betätigen.

•••7.1.3.2. RÜCKSTELLEN DES SICHERHEITSTHERMOSTATS:

Die Ursache, die das Auslösen des Sicherheitsthermostats bewirkt hat herausfinden und beseitigen und hiernach die Rückstelltaste rückseitig des Heizgeräts (Abb. 7) betätigen.

•••7.1.3.3. RÜCKSTELLEN DES THERMISCHEN SICHERUNGSAUTOMATS:

Die Ursache, die das Auslösen des thermischen Sicherungsautomats bewirkt hat herausfinden und beseitigen und hiernach die Rückstelltaste (Abb. 8) betätigen.

8. ANSCHLUSS RAUMTHERMOSTAT

Für den Anschluss des Raumthermostats den Verschluss der dazugehörigen Steckdose entfernen und den Raumthermostat (Option) anschließen (Abb. 9).

de

9. UMGANG UND TRANSPORT

Das Heizgerät muss vor sämtlichen Handhabungen ordnungsgemäß abgeschaltet und spannungsfrei geschaltet werden. Warten bis das Heizgerät ausreichend abgekühlt ist. Sicherstellen, dass die zum Transportieren des Heizgeräts verwendeten Mittel die erforderliche Belastbarkeit für sein Gewicht aufweisen (das Gewicht ist auf der technischen Spezifikation des Geräts angegeben. Das Heizgerät darf nur unter Zuhilfenahme zweckentsprechender Geräte angehoben und transportiert werden (hierbei ist größte Achtsamkeit anzuwenden, um eine Gefährdung für Personen und Schäden des Heizgeräts zu vermeiden).

10. WARTUNG

WICHTIGER HINWEIS: Vor Wartungs- oder Reparaturarbeiten stets das Netzkabel aus der Steckdose ziehen und sicherstellen, dass das Gerät abgekühlt ist.

Für einen stets einwandfreien Betrieb des Heizgeräts, wobei Störungen und Defekte möglichst zu vermeiden sind, ist eine regelmäßige Wartung empfehlenswert.

►► 10.1. REINIGUNG DER BRENNKAMMER:

WICHTIGER HINWEIS: Diese Wartung kann unter Heranziehung einer autorisierten technischen Kundendienststelle ausgeführt werden.

Es ist angeraten, die Reinigung der Brennkammer und der Windungen des Rauchabzugs mindestens jährlich und/oder je nach Bedarf vorzunehmen, um Probleme des Kaminzugs und der Verbrennung zu vermeiden. Zur Reinigung der Brennkammer stehen fünf Inspektionsöffnungen auf der vorderen Seite des Heizgeräts zur Verfügung.

Die Reinigungsarbeiten sind genau in der nachstehenden Abfolge auszuführen (dabei

sind Schrauben und Scheiben sorgfältig aufzubewahren):

- 10.1.1. Den Kegel zur Kanalisierung der Luft abnehmen, nachdem die Schrauben, die ihn an das Heizgerät befestigen, abgedreht wurden (Abb. 10).
- 10.1.2. Die Verschlussplatten der Inspektionsöffnungen nach Abdrehen der Schrauben entfernen (Abb. 11).
- 10.1.3. Die installierten Dichtungen abnehmen und nicht wiederverwenden. Ausschließlich neue und Original-Dichtungen verwenden (Abb. 12).
- 10.1.4. Die Brennkammer durch die Inspektionsöffnungen mit Hochdruckwasserstrahlen reinigen (Abb. 13). Hierbei ist die Lanze mehrmalig so zu neigen, dass die Wasserstrahlen in sämtliche Spalten der Brennkammer eindringen können.
- 10.1.5. Die Brennkammer am hinteren Teil anheben, so das möglichst viel Wasser ausfließen kann (dieser Arbeitsgang ist unter Anwendung größter Achtsamkeit auszuführen, um Gefährdung für die Personen und Schäden des Heizgeräts zu vermeiden) (Abb. 14).

- 10.1.6. Das Heizgerät wieder zusammenbauen, wozu die beschriebenen Arbeitsgänge in umgekehrter Folge auszuführen sind; die Dichtungen nur durch Originaldichtungen ersetzen.

HINWEIS: VOR DEM ERNEUTEN EINSCHALTEN DES HEIZGERÄTS IST SICHERZUSTELLEN, DASS DAS WASSER ZUR VERMEIDUNG VON SCHWEREN SCHÄDEN SO VIEL WIE MÖGLICH AUS DER BRENNKAMMER ENTLEERT WURDE.

►► 10.2. REINIGUNG DES VENTILATORS:
Gewöhnlich kann der Ventilator mit Druckluft gereinigt werden, die durch das rückseitige Gitter geblasen wird.

►► 10.3. REINIGUNG DES BRENNERS:

WICHTIGER HINWEIS: Diese Wartung kann unter Heranziehung einer autorisierten technischen Kundendienststelle ausgeführt werden.

Was die Reinigung des Brenners anbelangt, verweisen wir auf das spezifische Handbuch.

11. PLANMÄSSIGE WARTUNG

WARNUNG: VOR WARTUNGS- ODER REPARATURARBEITEN STETS DAS NETZKABEL AUS DER STECKDOSE ZIEHEN UND SICHERSTELLEN, DASS DAS GERÄT ABGEKÜHLT IST.
--

BAUTEIL	WARTUNGSHÄUFIGKEIT	WARTUNGSVORGANG
Sicherheitsthermostat	Jährliche Überprüfung und/oder nach Bedarf	Autorisierten Kundendienst heranziehen
Düse	Jährlicher Austausch und/oder nach Bedarf	Autorisierten Kundendienst heranziehen
Elektrische Ausrüstung	Jährliche Überprüfung und/oder nach Bedarf	Autorisierten Kundendienst heranziehen
Ventilator	Jährliche Reinigung und/oder nach Bedarf	Autorisierten Kundendienst heranziehen
Motor	Jährliche Überprüfung und/oder nach Bedarf	Autorisierten Kundendienst heranziehen
Brennstoffpumpe	Jährliche Überprüfung und/oder nach Bedarf	Autorisierten Kundendienst heranziehen
Brennkammer	Jährliche Überprüfung und/oder nach Bedarf	Autorisierten Kundendienst heranziehen

12. FEHLERSUCHE

PROBLEM	MÖGLICHE URSACHE	MÖGLICHE LÖSUNG
Das Heizgerät startet nicht oder bleibt nicht eingeschaltet	<ol style="list-style-type: none">1. Fehlende Stromversorgung2. Netzkabel unterbrochen3. Elektronik muss rückgesetzt werden oder ist defekt4. Einstellung des Raumthermostats (wo vorhanden) fehlerhaft5. Kein Brennstoff vorhanden6. Fremdkörper im Brennstoffkreislauf	<ol style="list-style-type: none">1a. Überprüfen, ob Stromversorgung anliegt1b. Überprüfen, ob das Heizgerät an die richtige Stromversorgung angeschlossen ist1c. Autorisierten Kundendienst heranziehen2. Autorisierten Kundendienst heranziehen3a. Heizgerät rückstellen3b. Autorisierten Kundendienst heranziehen4. Raumthermostat auf eine höhere Temperatur als jene des Arbeitsbereichs einstellen5. Brennstoff nachfüllen und ggf. das Heizgerät rücksetzen6. Autorisierten Kundendienst heranziehen
Das Heizgerät raucht während des Betriebs	<ol style="list-style-type: none">1. Fremdkörper im Brennstoffkreislauf2. Verstopfung der Luftklappe	<ol style="list-style-type: none">1. Autorisierten Kundendienst heranziehen2. Etwaige Verstopfungen am hinteren Gitter beseitigen
Das Heizgerät lässt sich nicht abschalten	<ol style="list-style-type: none">1. Elektronik defekt	<ol style="list-style-type: none">1. Autorisierten Kundendienst heranziehen

IMPORTANTE: LEA Y COMPRENDA ESTE MANUAL OPERATIVO ANTES DE MONTAR, PONER EN FUNCIONAMIENTO O REALIZAR EL MANTENIMIENTO DE ESTE CALENTADOR. UN USO INCORRECTO DEL CALENTADOR PUEDE CAUSAR LESIONES GRAVES O INCLUSO LA MUERTE. CONSERVE ESTE MANUAL PARA CONSULTAS FUTURAS.

1. DESCRIPCIÓN

(Fig. 1) Este calentador tiene un quemador específico, una cámara de combustión con sistema de evacuación de humos hacia el exterior y un ventilador de movimiento del aire caliente de alto rendimiento. El aire se calienta por medio de energía térmica producida por la combustión que se transmite a través del intercambio de calor con las superficies metálicas de la cámara de combustión y el canal de humos.

El recorrido del aire de ventilación y de los humos están separados por superficies metálicas unidas con soldaduras y juntas de estanqueidad. Los productos de la combustión, se dirigen hacia un conducto de evacuación; éste se debe conectar con una chimenea o salida de humos con un tamaño suficiente para garantizar el paso y salida de los humos. El aire comburente, es decir, aquel necesario para la combustión, es aspirado directamente por el quemador, que lo toma del ambiente circundante; el tamaño de este último y las condiciones de trabajo, deben garantizar una renovación adecuada del aire.

2. INFORMACIONES SOBRE LA SEGURIDAD ADVERTENCIAS

⚠ IMPORTANTE: Este aparato no es apto para que lo usen personas (incluidos los niños) con capacidades físicas, sensoriales y mentales reducidas, o inexpertas, a no ser que estén vigilados por una persona responsable por su seguridad. Los niños deben estar bajo control, para asegurarse de que no jueguen con el equipo.

⚠ PELIGRO: El monóxido de carbono puede provocar asfixia de forma mortal.

Los primeros síntomas de asfixia por monóxido de carbono se parecen

a los de la gripe, con dolores de cabeza, mareos y/o náuseas. Dichos síntomas podrían ser causados por el funcionamiento defectuoso del calentador. **SI SE PRESENTARAN ESTOS SÍNTOMAS, SALGA INMEDIATAMENTE AL AIRE LIBRE y haga reparar el calentador por el centro de asistencia técnica autorizado.**

▶▶ 2.1. ABASTECIMIENTO:

- 2.1.1. El personal encargado del abastecimiento, debe estar cualificado y estar familiarizado con las instrucciones del fabricante y con la normativa vigente sobre el abastecimiento seguro de los calentadores.
- 2.1.2. Use solo el tipo de combustible específico indicado en la etiqueta de los datos técnicos colocada en el calentador.
- 2.1.3. Las cisternas de almacenamiento del carburante se deben encontrar en una estructura aparte.
- 2.1.4. Todos los depósitos del combustible, se deben encontrar a una distancia mínima de seguridad del calentador, según las normas vigentes.
- 2.1.5. El combustible se debe conservar en locales cuyo suelo no permita la penetración ni el goteo del mismo sobre llamas que se encuentren a nivel inferior, que pueden causar el encendido.
- 2.1.6. La conservación del combustible se debe realizar de acuerdo con la normativa vigente.

▶▶ 2.2. SEGURIDAD:

- 2.2.1. Compruebe que los dispositivos antiincendios funcionen perfectamente y sean adecuados para la dimensión del calentador.
- 2.2.2. No utilice nunca el calentador en locales en los que hay gasolina, disolventes para pinturas y otros vapores extremadamente inflamables.
- 2.2.3. Durante el uso del calentador, atégase a todas las normas locales y a la normativa en vigor.

- 2.2.4. Los calentadores usados cerca de lonas, cortinas u otros materiales parecidos de cobertura, se deben colocar a una distancia de seguridad de ellos. Se aconseja también usar materiales de cobertura de tipo ignífugo.
- 2.2.5. Use solamente en áreas bien ventiladas. Prepare una abertura adecuada según las normas vigentes, para poder introducir aire fresco desde el exterior.
- 2.2.6. Alimente el calentador solamente con corriente que tenga tensión y frecuencia especificadas en la etiqueta de datos técnicos colocada en el calentador.
- 2.2.7. Compruebe que la conexión de tierra sea correcta.
- 2.2.8. Use solamente prolongaciones con cable de masa.
- 2.2.9. La línea eléctrica de suministro del calentador debe tener puesta a tierra, interruptor magnetotérmico con diferencial e interruptor de seccionamiento.
- 2.2.10. Las distancias mínimas de seguridad, aconsejadas, existentes entre el calentador y las sustancias inflamables son: salida delantera = 2,5 m (8.5 ft.); de lado, en alto y en la parte trasera = 1,5 m (5 ft.).
- 2.2.11. Ponga el calentador caliente o en marcha, sobre una superficie estable y nivelada, para evitar riesgos de incendio.
- 2.2.12. Mantenga a los animales a una distancia de seguridad del calentador.
- 2.2.13. Desconecte el calentador del suministro eléctrico, cuando no lo use.
- 2.2.14. Cuando esté controlado por un termostato, el calentador puede encenderse en cualquier momento.
- 2.2.15. No utilice nunca el calentador en locales habitados frecuentemente.
- 2.2.16. No bloquee nunca la toma del aire (lado posterior), ni la salida del aire (lado delantero) del calentador.
- 2.2.17. Cuando el calentador esté caliente o conectado a la alimentación eléctrica o en marcha, nunca se debe manipular, ni someter a intervenciones de mantenimiento.
- 2.2.18. Evite canalizar el aire en entrada y/o en salida si no es con accesorios originales (donde esté previsto).
- 2.2.19. Mantenga a una distancia adecuada los materiales inflamables o termolábiles (incluido el cable de alimentación) de las partes calientes del calentador.
- 2.2.20. Si el cable de alimentación estuviera dañado, se debe sustituir por el centro de asistencia técnica autorizado, para prevenir cualquier riesgo.
- 2.2.21. En caso de sustitución del quemador, utilice repuestos originales, respete escrupulosamente todo lo previsto para capacidad, tipo de las boquillas y presión de la bomba. Un aumento de la potencia del quemador podría perjudicar el calentador.

3. DESEMBALAJE

ADVERTENCIA: El material del embalaje no es un juguete para los niños. Mantenga la bolsa de plástico lejos del alcance de los niños; ¡peligro de asfixia!

- 3.1. Quite todos los materiales de embalaje usados para empaquetar y enviar el calentador. Elimínelos según las normas en vigor.
- 3.2. El calentador está sobre una plataforma, levántelo delicadamente utilizando ganchos y cadenas. Para levantar el calentador utilice los orificios situados en la estructura.
- 3.3. Controle posibles daños durante el transporte. Si el calentador estuviera dañado, avise inmediatamente al centro de asistencia técnica autorizado.

4. PRINCIPIOS DE FUNCIONAMIENTO

A. Cámara de combustión, **B.** Cabeza de combustión, **C.** Ventilador, **D.** Quemador, **E.** Equipo de control, **F.** Chimenea.

(Fig. 2) La bomba del quemador, aspira el combustible del depósito y lo envía a la boquilla a presión donde se nebuliza y se mezcla con el aire comburente en la cámara de combustión. Una chispa desencadena la combustión mientras que los humos residuales se eliminan por la chimenea. Una serie de sensores comprueban constantemente que el calentador funcione correctamente, parando

el ciclo en caso de anomalías. El ventilador, colocado en la parte posterior del calentador, tiene como finalidad enfriar la cámara de combustión y el canal de humos, transfiriendo el calor de éstos últimos al ambiente.

es

5. INSTRUCCIONES PARA LA INSTALACIÓN

ATENCIÓN: Siga escrupulosamente todas las operaciones descritas en este apartado. La instalación se debe realizar solo por personal profesionalmente cualificado.

►► 5.1. CONEXIONES ELÉCTRICAS:

ATENCIÓN: La línea eléctrica de suministro del calentador debe tener puesta a tierra, interruptor magnetotérmico con diferencial e interruptor de seccionamiento.

El equipamiento de serie del calentador incluye todos los dispositivos de control y de seguridad indispensables para su funcionamiento correcto: cuadro eléctrico, quemador, termostato de seguridad con rearme manual ya están conectados.

Durante la instalación hay que considerar la conexión a la alimentación eléctrica, que se debe realizar mediante cables de sección adecuada de acuerdo con lo establecido en las normas nacionales vigentes y en la etiqueta de datos técnicos colocada en el calentador.

NOTA: ANTES DE PONER EN MARCHA EL CALENTADOR, ES OPORTUNO CONTROLAR LAS CONEXIONES ELÉCTRICAS.

►► 5.2. CONEXIÓN CANALIZACIÓN DEL AIRE EN SALIDA:

PARA LA CANALIZACIÓN UTILICE SOLO KITS ORIGINALES.

La instalación de la canalización del aire en salida, se puede realizar con la cadena de apriete correspondiente, o con el enganche rápido.

►► 5.3. CONEXIÓN EVACUACIÓN DE HUMOS:

La eficiencia térmica y el funcionamiento apropiados están asociados directamente al tiro correcto de la chimenea para la evacuación

de los humos. Se aconseja no formar ángulos obturables ni realizar reducciones de la sección de la chimenea de evacuación de humos. El calentador debe tener una descarga para los humos preferentemente vertical de acero y con un regulador del tiro, si no está conectado a una chimenea de evacuación de humos externa, respetando las especificaciones indicadas en este manual técnico.

6. COMBUSTIBLE

ADVERTENCIA: El calentador funciona solo con **DIÉSEL** o **KEROSENO**.

Use solo diésel o keroseno. Para evitar riesgos de incendio o de explosión, no use gasolina, nafta, disolventes para pinturas, alcohol u otros combustibles inflamables.

Use aditivos antihielo no tóxicos en caso de temperaturas muy bajas.

Se aconseja utilizar gasóleo invernal por debajo de los 5°C (41°F).

7. FUNCIONAMIENTO

ADVERTENCIA: Lea atentamente la **“INFORMACIÓN SOBRE LA SEGURIDAD”**, antes de encender el calentador.

IDENTIFIQUE EL PANEL DE MANDOS DEL CALENTADOR (Fig. 3).

►► 7.1.1. ENCENDIDO:

•••7.1.1.1. Controle la presencia de combustible en el circuito.

•••7.1.1.2. Conecte el calentador a la red eléctrica (la señal luminosa del interruptor se enciende, señalando la presencia de tensión).

•••7.1.1.3. Regule la compuerta del aire del quemador según los datos en la tabla (Fig. 4).

•••7.1.1.4. Coloque en ON el interruptor de encendido (Fig. 5) (primero comienza el quemador y después de aproximadamente un minuto empieza la ventilación).

NOTA: DURANTE EL FUNCIONAMIENTO LA SEÑAL LUMINOSA DEL INTERRUPTOR DE APAGA. EN EL CASO DE BLOQUEO DEL QUEMADOR DEBIDO A UNA ANOMALÍA, LA SEÑAL LUMINOSA DEL

INTERRUPTOR EMPIEZA A PARPADEAR (UNA INTERMITENCIA LARGA SEGUIDA DE DOS INTERMITENCIAS CORTAS).

NOTA: EL CALENTADOR TIENE UN SENSOR QUE MONITORIZA CONSTANTEMENTE LA TEMPERATURA DEL AIRE EN SALIDA [PARA UN FUNCIONAMIENTO NORMAL, LA TEMPERATURA DEL AIRE EN SALIDA DEBE ESTAR POR DEBAJO DE LOS 95°C (203°F)]. SI LA TEMPERATURA DEL AIRE EN SALIDA SUPERARA LOS 95°C (203°F), EL CALENTADOR APAGA EL QUEMADOR (LA SEÑAL LUMINOSA DEL INTERRUPTOR EMPIEZA A PARPADEAR). CUANDO LA TEMPERATURA VUELVE POR DEBAJO DE LOS 95°C (203°F), EL QUEMADOR SE REACTIVA AUTOMÁTICAMENTE.

▶▶ 7.1.2. APAGADO:

IMPORTANTE: No desconecte nunca el enchufe de alimentación eléctrica para apagar el calentador.

IMPORTANTE: No desconecte nunca el enchufe de alimentación eléctrica antes de que el calentador esté completamente apagado.

Ponga en OFF el interruptor de encendido (Fig. 5), y espere a que el calentador se detenga completamente. Cuando la temperatura del aire en salida desciende por debajo de 50°C (122°F), el ventilador se apaga y al señal luminosa del interruptor se enciende para indicar la presencia de tensión (condición de reposo).

▶▶ 7.1.3. RESTABLECIMIENTO:

Durante el funcionamiento normal puede suceder que el calentador se bloquee (por ejemplo por la falta de combustible), en este caso el calentador se debe restablecer:

••7.1.3.1. RESTABLECIMIENTO DEL QUEMADOR: Localice y elimine la causa que provoca el bloqueo, para reactivar el quemador presione por lo menos durante diez segundos el botón de restablecimiento colocado en el quemador (Fig. 6).

••7.1.3.2. RESTABLECIMIENTO DEL TERMOSTATO DE SEGURIDAD: Localice y elimine la causa que ha hecho saltar el termostato de seguridad, entonces presione a fondo el pulsador de restablecimiento situado en la parte posterior del calentador (Fig. 7).

••7.1.3.3. RESTABLECIMIENTO DEL DISYUNTOR TÉRMICO: Localice y elimine la causa que ha provocado la intervención del disyuntor térmico, entonces presione el botón de restablecimiento para desbloquearlo (Fig. 8).

8. CONEXIÓN TERMOSTATO AMBIENTE

Para la conexión del termostato ambiente, quite el tapón de la toma específica y conecte el termostato ambiente (Opcional) (Fig. 9).

9. CONSERVACIÓN Y TRANSPORTE

Antes de desplazar el calentador usted lo debe apagar siguiendo el procedimiento adecuado y desconectarlo de la alimentación eléctrica. Espere a que el calentador se haya enfriado de manera adecuada.

Antes de realizar cualquier desplazamiento asegúrese de que el soporte utilizado para el desplazamiento del calentador pueda soportar el peso (el peso está indicado en las características técnicas del aparato). No intente elevar o desplazar el calentador sin la ayuda de maquinarias adecuadas a esta finalidad (esta operación se realiza con la máxima atención para evitar un peligro para las personas y daños al calentador).

10. MANTENIMIENTO

IMPORTANTE: Antes de realizar cualquier mantenimiento o reparación, desconecte el cable de alimentación eléctrica, y asegúrese de que el calentador esté frío.

Para conservar de la mejor manera el calentador, evitando al máximo anomalías y averías, se aconseja realizar un mantenimiento periódico adecuado.

▶▶ 10.1. LIMPIEZA DE LA CÁMARA DE COMBUSTIÓN:

IMPORTANTE: Este mantenimiento se puede realizar dirigiéndose al centro de asistencia técnica autorizado.

Es aconsejable limpiar la cámara de combustión y del canal de humos por lo menos

una vez al año y/o según la exigencia, con el fin de evitar problemas de tiro de la chimenea y de combustión. La limpieza de la cámara de combustión se realiza mediante cinco aberturas de inspección colocadas en la parte delantera del calentador.

Para realizar la limpieza siga escrupulosamente la siguiente secuencia (conservando con atención tornillos y arandelas):

- 10.1.1. Quite el cono para la canalización del aire desenroscando los tornillos que lo fijan al calentador (Fig. 10).
- 10.1.2. Quite las placas que cierran las aberturas de inspección, desenroscando los tornillos (Fig. 11).
- 10.1.3. Quite las juntas instaladas y no vuelva a utilizarlas. Utilice solo juntas nuevas y originales (Fig. 12).
- 10.1.4. Rocíe con agua a alta presión dentro de la cámara a través de las aberturas de inspección (Fig. 13). En el momento del lavado, incline la lanza en varias posiciones para que el agua llegue a todas las ranuras de la cámara de combustión.
- 10.1.5. Eleve la cámara de combustión en la parte posterior, para eliminar la mayor cantidad de agua posible del interior de la

misma cámara (esta operación se debe realizar con la máxima atención para evitar poner en peligro a las personas y provocar daños al calentador) (Fig. 14).

- 10.1.6. Vuelva a montar el calentador realizando esta secuencia de operaciones al contrario, sustituyendo las juntas solo con recambios originales.

NOTA: ANTES DE VOLVER A ENCENDER EL CALENTADOR, ASEGÚRESE DE HABER ELIMINADO LA MAYOR CANTIDAD DE AGUA POSIBLE DEL INTERIOR DE LA CÁMARA DE COMBUSTIÓN CON EL FIN DE EVITAR GRAVES DAÑOS.

▶▶ 10.2. LIMPIEZA DEL VENTILADOR:

Para la limpieza ordinaria del ventilador se puede utilizar el aire comprimido, soplando el aire a través de la rejilla posterior.

▶▶ 10.3. LIMPIEZA DEL QUEMADOR:

IMPORTANTE: Este mantenimiento se puede realizar dirigiéndose al centro de asistencia técnica autorizado.

Por lo que se refiere a la limpieza del quemador, lea y comprenda el manual específico.

11. PROGRAMA DE MANTENIMIENTO PREVENTIVO

ADVERTENCIA: ANTES DE REALIZAR CUALQUIER MANTENIMIENTO O REPARACIÓN, DESCONECTE EL CABLE DE ALIMENTACIÓN ELÉCTRICA, Y ASEGÚRESE DE QUE EL CALENTADOR ESTÉ FRÍO.

COMPONENTE	FRECUENCIA MANTENIMIENTO	PROCEDIMIENTO MANTENIMIENTO
Termostato de seguridad	Comprobación anual y/o según las necesidades	Diríjase al centro de asistencia técnica autorizado
Boquilla	Sustitución anual y/o según las necesidades	Diríjase al centro de asistencia técnica autorizado
Instalación eléctrica	Comprobación anual y/o según las necesidades	Diríjase al centro de asistencia técnica autorizado
Ventilador	Limpieza anual y/o según las necesidades	Diríjase al centro de asistencia técnica autorizado
Motor	Comprobación anual y/o según las necesidades	Diríjase al centro de asistencia técnica autorizado
Bomba combustible	Comprobación anual y/o según las necesidades	Diríjase al centro de asistencia técnica autorizado
Cámara de combustión	Comprobación anual y/o según las necesidades	Diríjase al centro de asistencia técnica autorizado

12. INDIVIDUACIÓN DEL PROBLEMA

PROBLEMA	POSIBLE CAUSA	POSIBLE SOLUCIÓN
El calentador no se pone en marcha o no se queda encendido	<ol style="list-style-type: none">1. Falta alimentación2. Cable de alimentación interrumpido3. Electrónica por restablecer o defectuosa4. Configuración errónea del termostato ambiente (donde lo haya)5. Falta combustible6. Presencia de sustancias ajenas en el circuito del combustible	<ol style="list-style-type: none">1a. Compruebe la presencia de alimentación eléctrica1b. Compruebe que el calentador esté conectado a la alimentación eléctrica correcta1c. Diríjase al centro de asistencia técnica autorizado2. Diríjase al centro de asistencia técnica autorizado3a. Restablezca el calentador3b. Diríjase al centro de asistencia técnica autorizado4. Regule el termostato ambiente, configurándolo a una temperatura superior a la del ambiente de trabajo5. Abastezca de combustible y eventualmente restablezca el calentador6. Diríjase al centro de asistencia técnica autorizado
El calentador produce humo durante el funcionamiento	<ol style="list-style-type: none">1. Presencia de sustancias ajenas en el circuito del combustible2. Obstrucción de la toma de aire en entrada	<ol style="list-style-type: none">1. Diríjase al centro de asistencia técnica autorizado2. Quite todas las obstrucciones posibles de la rejilla posterior
El calentador no se apaga	<ol style="list-style-type: none">1. Electrónica defectuosa	<ol style="list-style-type: none">1. Diríjase al centro de asistencia técnica autorizado

IMPORTANT : VEUILLEZ LIRE ET COMPRENDRE CE MANUEL D'UTILISATION AVANT DE PROCÉDER À L'ASSEMBLAGE, À LA MISE EN SERVICE OU À L'ENTRETIEN DE CET APPAREIL DE CHAUFFAGE. L'UTILISATION INCORRECTE DU RÉCHAUFFEUR PEUT CAUSER DES LÉSIONS GRAVES OU FATALES. CONSERVER CE MANUEL POUR TOUTE CONSULTATION FUTURE.

fr


1. DESCRIPTION


(Fig. 1) Ce réchauffeur est équipé d'un brûleur dédié, d'une chambre de combustion pourvue d'une évacuation des fumées à l'extérieur et d'un ventilateur de déplacement d'air chaud à hautes performances. L'air est chauffé au moyen de l'énergie thermique produite par la combustion qui lui est transmise par échange thermique avec les surfaces métalliques de la chambre de combustion et du circuit d'extraction des fumées.

Le parcours de l'air de ventilation et des fumées est séparé par des surfaces métalliques assemblées par des soudures et des joints d'étanchéité. Les produits issus de la combustion sont dirigés vers un conduit d'évacuation ; ce dernier doit être raccordé à une cheminée ou à un conduit de fumée ayant des dimensions de nature à garantir l'évacuation des fumées. L'air comburant, à savoir l'air nécessaire à la combustion, est aspiré directement par le brûleur qui le prélève du milieu environnant ; les dimensions de ce dernier et les conditions de travail doivent pouvoir garantir un renouvellement d'air adéquat.

2. INFORMATIONS SUR LA SÉCURITÉ

AVERTISSEMENTS

 **IMPORTANT** : Cet appareil n'est pas adapté pour être utilisé par des personnes (y compris les enfants) ayant des capacités physiques, sensorielles et mentales réduites ou par des personnes inexpérimentées, à moins qu'elles ne soient supervisées par une personne responsable de leur sécurité. Les enfants doivent être surveillés, afin de s'assurer qu'ils ne jouent pas avec l'appareil.

 **DANGER** : L'asphyxie par le monoxyde de carbone peut être fatale.

Les premiers symptômes de l'asphyxie par le monoxyde de carbone ressemblent

à ceux de la grippe, avec des maux de tête, des vertiges et/ou des nausées. Ces symptômes pourraient être causés par un fonctionnement défectueux de l'appareil de chauffage. **SI CES SYMPTÔMES SE MANIFESTENT, SORTIR IMMÉDIATEMENT EN PLEIN AIR** et faire réparer l'appareil de chauffage par le centre d'assistance technique agréé.

►► 2.1. RAVITAILLEMENT :

•••2.1.1. Le personnel préposé au ravitaillement doit être qualifié et avoir une parfaite connaissance des instructions du fabricant et de la réglementation en vigueur relative au ravitaillement des réchauffeurs en toute sécurité.

•••2.1.2. N'utiliser que le type de combustible expressément indiqué sur l'étiquette des données techniques appliquée sur le réchauffeur.

•••2.1.3. Les citernes de stockage du carburant doivent se trouver dans une structure séparée.

•••2.1.4. Tous les réservoirs de combustible doivent se trouver à une distance de sécurité minimale du réchauffeur, conformément aux normes en vigueur.

•••2.1.5. Le combustible doit être conservé dans des lieux dont le sol ne permet pas la pénétration et l'égouttement de celui-ci sur des flammes sous-jacentes qu'il pourrait attiser.

•••2.1.6. La conservation du combustible doit être effectuée conformément à la réglementation en vigueur.

►► 2.2. SÉCURITÉ :

•••2.2.1. Vérifier que les dispositifs anti-incendie soient disponibles et adaptés aux potentialités du réchauffeur.

•••2.2.2. Ne jamais utiliser le réchauffeur dans des locaux contenant de l'essence, des décapants pour peintures ou d'autres vapeurs hautement inflammables.

•••2.2.3. Pendant l'utilisation du réchauffeur, respecter tous les arrêtés locaux et la réglementation en vigueur.

•••2.2.4. Les réchauffeurs utilisés à proximité de bâches, de rideaux ou d'autres

matériaux de couverture similaires doivent être séparés de ceux-ci par une distance de sécurité. Il est également conseillé d'utiliser des matériaux de couverture de type ignifuges.

- 2.2.5. Utiliser uniquement dans des zones bien ventilées. Prévoir une ouverture appropriée conformément aux normes en vigueur, afin de permettre l'introduction d'air frais provenant de l'extérieur.
- 2.2.6. N'alimenter le réchauffeur qu'avec du courant ayant la tension et la fréquence spécifiées sur l'étiquette des données techniques du réchauffeur.
- 2.2.7. Vérifier la bonne mise à la terre.
- 2.2.8. N'utiliser que des rallonges dotées d'un câble de masse.
- 2.2.9. La ligne d'alimentation électrique du réchauffeur doit être pourvue d'une mise à la terre, d'un interrupteur magnétothermique avec un différentiel et d'un interrupteur de sectionnement.
- 2.2.10. Les distances minimales de sécurité conseillées, qui séparent le réchauffeur et les substances inflammables sont les suivantes : sortie avant = 2,5 m (8.5 ft.) ; de côté, en haut et à l'arrière = 1,5m (5 ft.).
- 2.2.11. Placer le générateur, chaud ou en marche, sur une surface stable et nivelée, de manière à éviter les risques d'incendie.
- 2.2.12. Garder les animaux à une distance de sécurité de l'appareil de chauffage.
- 2.2.13. Débrancher le réchauffeur de l'alimentation électrique lorsqu'il n'est pas utilisé.
- 2.2.14. Lorsqu'il est contrôlé par un thermostat, le réchauffeur peut s'allumer à tout moment.
- 2.2.15. Ne jamais utiliser le réchauffeur dans des pièces fréquemment habitées.
- 2.2.16. Ne jamais obstruer la prise d'air (coté arrière), ni la sortie d'air (coté avant) du réchauffeur.
- 2.2.17. Lorsque le réchauffeur est chaud, branché au réseau électrique ou en marche, ne jamais le manipuler ou le soumettre à aucune intervention de maintenance.
- 2.2.18. Éviter de canaliser l'air en entrée et/ou en sortie sauf avec le kit original (si prévu).
- 2.2.19. Maintenir les parties chaudes du réchauffeur à une distance appropriée des matériaux inflammables ou thermolabiles (y compris le câble d'alimentation).

••2.2.20. Si le câble d'alimentation est endommagé, il doit être remplacé par un centre d'assistance technique agréé, afin d'éviter tout risque.

••2.2.21. En cas de remplacement du brûleur, utiliser des pièces de rechange d'origine, respecter scrupuleusement les indications de portée, de type de buses et de pression de la pompe. Une augmentation de la puissance du brûleur pourrait endommager le réchauffeur.

3. DÉBALLAGE

AVERTISSEMENT : Le matériel de l'emballage n'est pas un jouet pour les enfants. Conserver le sachet en plastique hors de la portée des enfants ; danger d'étouffement !

- 3.1. Retirer tous les matériaux d'emballage utilisés pour conditionner et envoyer le réchauffeur. Les éliminer selon les normes en vigueur.
- 3.2. Le réchauffeur est placé sur une plateforme, le soulever délicatement en utilisant des crochets et des chaînes. Pour soulever le réchauffeur, utiliser les trous qui se trouvent sur la structure.
- 3.3. Contrôler les dégâts éventuellement subis pendant le transport. Si le réchauffeur semble endommagé, informer immédiatement le centre d'assistance technique agréé.

4. PRINCIPES DE FONCTIONNEMENT

A. Chambre de combustion, **B.** Tête de combustion, **C.** Ventilateur, **D.** Brûleur, **E.** Appareil de contrôle, **F.** Cheminée.

(Fig. 2) La pompe du brûleur aspire le combustible depuis le réservoir et l'envoie à la buse sous pression où il est nébulisé et mélangé à l'air comburant dans la chambre de combustion. Une étincelle amorce la combustion tandis que les fumées de rebut sont expulsées de la cheminée. Une série de capteurs vérifie constamment le fonctionnement correct du réchauffeur et interrompt le cycle en cas d'anomalie. Le ventilateur, placé à l'arrière du réchauffeur, sert à refroidir la chambre de combustion et le circuit d'évacuation des fumées, en transférant la chaleur de ces derniers au milieu environnant.

5. INSTRUCTIONS POUR L'INSTALLATION

ATTENTION : Suivre scrupuleusement toutes les opérations décrites dans ce paragraphe. L'installation ne doit être effectuée que par un personnel qualifié d'un point de vue professionnel.

►► 5.1. BRANCHEMENTS ÉLECTRIQUES :

ATTENTION : La ligne d'alimentation électrique du réchauffeur doit être pourvue d'une mise à la terre, d'un interrupteur magnétothermique avec un différentiel et d'un interrupteur de sectionnement.

L'équipement de série du réchauffeur comprend tous les dispositifs de contrôle et de sécurité indispensables pour son fonctionnement correct : tableau électrique, brûleur et thermostat de sécurité à réarmement manuel sont déjà raccordés.

Durant l'installation, le raccordement à l'alimentation électrique doit être prédisposé avec des câbles de section appropriée conformément aux prescriptions des normes nationales en vigueur et à celles reportées sur l'étiquette des données techniques appliquée sur le réchauffeur.

REMARQUE : AVANT DE DÉMARRER LE RÉCHAUFFEUR, IL FAUT TOUT DE MÊME CONTROLER LES BRANCHEMENTS ÉLECTRIQUES.

►► 5.2. BRANCHEMENT DE LA CANALISATION DE L'AIR A LA SORTIE : POUR LA CANALISATION, N'UTILISER QUE DES KITS D'ORIGINE.

L'installation de la canalisation de l'air en sortie, peut s'effectuer avec le collier de serrage spécifique ou à l'aide de l'accrochage rapide prévu à cet effet.

►► 5.3. BRANCHEMENT DE LA CHEMINÉE D'ÉVACUATION DES FUMÉES :

L'efficacité thermique et le fonctionnement approprié sont directement liés au tirage correct de la cheminée d'évacuation des fumées. Il est conseillé de ne pas former d'angles qui pourraient se boucher ni de réduire la section de la cheminée d'évacuation des fumées. Le réchauffeur doit être doté d'une cheminée d'évacuation des fumées en acier essentiellement verticale et d'un régulateur de tirage, si celui-ci n'est pas raccordé à une

cheminée d'évacuation des fumées externe, en respectant les caractéristiques de ce manuel technique.

6. COMBUSTIBLE

ATTENTION : Le chauffage fonctionne uniquement avec du DIESEL ou du KÉROSÈNE.

Utiliser uniquement du diesel ou du kérosène, afin d'éviter tout risque d'incendie ou d'explosion. Ne jamais utiliser de l'essence, du mazout, des décapants pour peintures, de l'alcool ou d'autres combustibles hautement inflammables.

En cas de très basses températures, utiliser des additifs antigels non toxiques.

Nous conseillons d'utiliser du gas-oil hivernal en-dessous des 5°C (41°F).

7. FONCTIONNEMENT

AVERTISSEMENT : Lire attentivement les « INFORMATIONS SUR LA SÉCURITÉ » avant d'allumer le réchauffeur.

IDENTIFIER LE PANNEAU DE COMMANDE DU RÉCHAUFFEUR (Fig. 3).

►► 7.1.1. ALLUMAGE :

- 7.1.1.1. Contrôler la présence de combustible dans le circuit.
- 7.1.1.2. Brancher le réchauffeur au réseau électrique (le signal lumineux de l'interrupteur s'allume, en signalant la présence de tension).
- 7.1.1.3. Régler le volet d'air du brûleur selon les données reportées dans le tableau (Fig. 4).
- 7.1.1.4. Placer l'interrupteur d'allumage sur ON (Fig. 5) (démarrer tout d'abord le brûleur puis après environ une minute la ventilation commence).

REMARQUE : PENDANT LE FONCTIONNEMENT, LE SIGNAL LUMINEUX DE L'INTERRUPTEUR S'ÉTEINT. EN CAS DE BLOCAGE DU BRULEUR OU À UNE ANOMALIE, LE SIGNAL LUMINEUX DE L'INTERRUPTEUR COMMENCE À CLIGNOTER (UN CLIGNOTEMENT LONG SUIVI DE DEUX CLIGNOTEMENTS COURTS).
REMARQUE : LE RÉCHAUFFEUR DISPOSE D'UN CAPTEUR QUI CONTRÔLE

CONSTAMMENT LA TEMPÉRATURE DE L'AIR EN SORTIE [POUR UN FONCTIONNEMENT NORMAL, LA TEMPÉRATURE DE L'AIR EN SORTIE DOIT ÊTRE EN DESSOUS DES 95°C (203°F)]. SI LA TEMPÉRATURE DE L'AIR EN SORTIE EST SUPÉRIEURE À 95°C (203°F), LE RÉCHAUFFEUR ÉTEINT LE BRÛLEUR (LE SIGNAL LUMINEUX DE L'INTERRUPTEUR COMMENCE À CLIGNOTER). LORSQUE LA TEMPÉRATURE REVIENT EN DESSOUS DES 95°C (203°F), LE BRÛLEUR SE RÉACTIVE AUTOMATIQUEMENT.

►► 7.1.2. EXTINCTION :

IMPORTANT : Ne jamais débrancher la fiche d'alimentation électrique pour éteindre le réchauffeur.

IMPORTANT : Ne jamais débrancher la fiche d'alimentation électrique avant que le réchauffeur ne soit complètement éteint.

Placer l'interrupteur d'allumage sur OFF (Fig. 5) et attendre que le réchauffeur s'arrête complètement. Lorsque la température de l'air en sortie descend en dessous de 50°C (122°F), le ventilateur s'éteint et le signal lumineux de l'interrupteur s'allume pour signaler la présence de tension (condition de repos).

►► 7.1.3. RÉTABLISSEMENT :

Pendant le fonctionnement normal, il se peut que le réchauffeur se bloque (en raison du manque de combustible par exemple), dans ce cas, il faut rétablir le réchauffeur :

- 7.1.3.1. RÉTABLISSEMENT DU BRÛLEUR : Identifier et supprimer la cause qui a provoqué le blocage, pour réactiver le brûleur, appuyer pendant au moins dix secondes sur le bouton de rétablissement situé sur le brûleur (Fig. 6).
- 7.1.3.2. RÉTABLISSEMENT DU THERMOSTAT DE SÉCURITÉ : Identifier et supprimer la cause qui a déclenché le thermostat de sécurité, puis appuyer à fond sur le bouton de réarmement situé à l'arrière du réchauffeur (Fig. 7).
- 7.1.3.3. RÉTABLISSEMENT DU DISJONCTEUR THERMIQUE : Identifier et supprimer la cause qui a provoqué l'intervention du disjoncteur thermique, puis appuyer sur le bouton de rétablissement pour le débloquent (Fig. 8).

8. BRANCHEMENT DU THERMOSTAT AMBIANT

Pour le branchement du thermostat d'ambiance, retirer le bouchon de la prise spécifique et relier le thermostat d'ambiance (Option) (Fig. 9).

9. CONSERVATION ET TRANSPORT

Avant toute opération de manutention, le réchauffeur doit être éteint en suivant la bonne procédure et débranché de l'alimentation électrique. Attendre que le réchauffeur soit bien refroidi.

Avant d'effectuer toute opération de manutention, vérifier que le support utilisé pour le déplacement du réchauffeur soit en mesure de supporter le poids (le poids est indiqué sur les caractéristiques techniques de l'appareil). Ne pas essayer de lever ou de déplacer le réchauffeur sans l'aide d'engins adaptés à cette fonction (cette opération doit être effectuée en faisant extrêmement attention pour éviter tout danger aux personnes et tout dommage au réchauffeur).

10. MAINTENANCE

IMPORTANT : Avant d'effectuer toute opération de manutention ou de réparation, débrancher le câble d'alimentation du réseau électrique et s'assurer que le réchauffeur soit froid.

Pour conserver au mieux le réchauffeur en évitant au maximum toute anomalie et toute panne, il est conseillé d'effectuer une maintenance régulière périodique.

►► 10.1. NETTOYAGE DE LA CHAMBRE DE COMBUSTION :

IMPORTANT : Cette opération de maintenance ne peut être effectuée que par un centre d'assistance technique agréé.

Il est conseillé de procéder au nettoyage de la chambre de combustion et du circuit d'évacuation des fumées au moins une fois par an ou selon le besoin afin d'éviter tout problème de combustion et de tirage de la cheminée. Le nettoyage de la chambre de combustion s'effectue grâce à cinq ouvertures d'inspection qui se trouvent à l'avant du réchauffeur.

Pour effectuer le nettoyage, suivre scrupuleusement la séquence suivante (en conservant soigneusement les vis et les rondelles) :

- 10.1.1. Enlever le cône pour la canalisation de l'air en dévissant les vis qui le fixent au réchauffeur (Fig. 10).
- fr •••10.1.2. Enlever les plaques qui ferment les ouvertures d'inspection, en dévissant les vis (Fig. 11).
- 10.1.3. Enlever les joints d'étanchéité installés et ne plus les utiliser. N'utiliser que des joints d'étanchéité neufs et d'origine (Fig. 12).
- 10.1.4. Pulvériser de l'eau à haute pression dans la chambre à travers les ouvertures d'inspection (Fig. 13). Au moment du lavage, incliner le tuyau dans différentes positions de manière à faire arriver l'eau dans toutes les fentes de la chambre de combustion.
- 10.1.5. Soulever la chambre de combustion par l'arrière afin d'éliminer le plus d'eau possible de l'intérieur de la chambre (cette opération doit être effectuée très attentivement afin d'éviter tout danger pour les personnes et tout dommage au réchauffeur) (Fig. 14).

- 10.1.6. Assembler à nouveau le réchauffeur en effectuant cette séquence d'opérations à l'inverse et en remplaçant les joints d'étanchéité uniquement avec des pièces de rechange d'origine.

REMARQUE : AVANT DE RALLUMER LE RÉCHAUFFEUR, VÉRIFIER D'AVOIR ÉLIMINÉ LE PLUS D'EAU POSSIBLE À L'INTÉRIEUR DE LA CHAMBRE DE COMBUSTION AFIN D'ÉVITER DE GRAVES DOMMAGES.

►► **10.2. NETTOYAGE DU VENTILATEUR :**
Pour le nettoyage ordinaire du ventilateur, il est possible de recourir à l'air comprimé, en soufflant de l'air par la grille arrière.

►► **10.3. NETTOYAGE DU BRÛLEUR :**

IMPORTANT : Cette opération de maintenance ne peut être effectuée que par un centre assistance technique agréé.

En ce qui concerne le nettoyage du brûleur, lire et comprendre le manuel spécifique.

11. PROGRAMME DE MAINTENANCE PRÉVENTIVE

AVERTISSEMENT : AVANT D'EFFECTUER TOUTE OPÉRATION DE MAINTENANCE OU DE RÉPARATION, DÉBRANCHER LE CÂBLE D'ALIMENTATION DU RÉSEAU ÉLECTRIQUE ET S'ASSURER QUE LE RÉCHAUFFEUR SOIT BIEN FROID.

COMPOSANT	FRÉQUENCE DE MAINTENANCE	PROCÉDURE DE MAINTENANCE
Thermostat de sécurité	Contrôle annuel et/ou selon les besoins	Contacter le centre d'assistance technique agréé
Buse	Remplacement annuel et/ou selon les besoins	Contacter le centre d'assistance technique agréé
Installation électrique	Contrôle annuel et/ou selon les besoins	Contacter le centre d'assistance technique agréé
Ventilateur	Nettoyage annuel et/ou selon les besoins	Souffler de l'air comprimé par la grille arrière
Moteur	Contrôle annuel et/ou selon les besoins	Contacter le centre d'assistance technique agréé
Pompe du combustible	Contrôle annuel et/ou selon les besoins	Contacter le centre d'assistance technique agréé
Chambre de combustion	Contrôle annuel et/ou selon les besoins	Contacter le centre d'assistance technique agréé

12. IDENTIFICATION DU PROBLÈME

PROBLÈME	CAUSE POSSIBLE	SOLUTION POSSIBLE
Le réchauffeur ne s'allume pas ou ne reste pas allumé	<ol style="list-style-type: none">1. Absence d'alimentation2. Câble d'alimentation coupé3. Électronique à réinitialiser ou défectueuse4. Programmation incorrecte du thermostat ambiant (si présent)5. Absence de combustible6. Présence de substances étrangères dans le circuit du combustible	<ol style="list-style-type: none">1a. Vérifier la présence d'alimentation électrique1b. Vérifier que le réchauffeur soit raccordé à la bonne alimentation électrique1c. Contacter le centre d'assistance technique agréé2. Contacter le centre d'assistance technique agréé3a. Réinitialiser le réchauffeur3b. Contacter le centre d'assistance technique agréé4. Intervenir sur le thermostat ambiant, en le réglant à une température supérieure à celle du milieu de travail5. Ravitailler en combustible et, éventuellement, réinitialiser le réchauffeur6. Contacter le centre d'assistance technique agréé
Le réchauffeur produit de la fumée lorsqu'il est en marche	<ol style="list-style-type: none">1. Présence de substances étrangères dans le circuit du combustible2. Obstruction de la prise d'air en entrée	<ol style="list-style-type: none">1. Contacter le centre d'assistance technique agréé2. Éliminer toutes les obstructions possibles de la grille arrière
Le réchauffeur ne s'éteint pas	<ol style="list-style-type: none">1. Électronique défectueuse	<ol style="list-style-type: none">1. Contacter le centre d'assistance technique agréé

VIGTIGT: SØRG FOR AT LÆSE OG FORSTÅ DENNE BRUGSMANUAL FØR VARMEAPPARATET SAMLES, TAGES I BRUG ELLER VEDLIGEHOLDES. FEJLAGTIG BRUG AF VARMEAPPARATET KAN FORÅRSAGE ALVORLIGE ELLER DØDELIGE KVÆSTELSER. GEM MANUALEN FOR FREMTIDIG REFERENCE.


1. BESKRIVELSE

(Fig. 1) Varmeapparatet har en brænder, et forbrændingskammer med røgdudledning og en varmluftsblæser med høj ydeevne. Luften opvarmes af den termiske energi, der produceres ved forbrændingen, og overføres ved varmeveksling mellem metaloverfladerne i forbrændingskammeret og røgpasset.

Ventilationslufts- og røgpasset er adskilt af metaloverflader, som er sat sammen med svejsninger og tætninger. Forbrændingsprodukterne ledes ad en udledningskanal, som er tilsluttet en skorsten eller røgafgang med en størrelse, der sikrer, at røgen udledes. Forbrændingsluften, dvs. den luft som kræves til forbrændingen, indtages direkte fra omgivelserne af varmeapparatet, og omgivelserne samt arbejdsforholdene skal derfor være af en størrelse, der sikrer passende luftudskiftning.

2. SIKKERHEDSINFORMATIONER

ADVARSLER

 **VIGTIGT:** Apparatet er ikke egnet til at blive anvendt af personer (inklusiv børn) med nedsatte fysiske, sensoriske eller mentale evner eller urutinerede personer, med mindre de er under opsyn af en person med ansvar for deres sikkerhed. Børn skal være under opsyn for at sikre, at de ikke leger med apparatet.

 **FARE:** Iltmangel på grund af kulilte dampe kan være dødeligt.

De første tegn på iltmangel som følge af indånding af kulilte dampe ligner symptomerne på influenza, med hovedpine, svimmelhed og/eller kvalme.

Disse symptomer kan være forårsaget af forkert drift af varmeapparatet. **HVIS DISSE SYMPTOMER SKULLE OPSTÅ, SKAL MAN STRAKS SØGE UD I DEN FRI LUFT og lade varmeapparatet reparere af et autoriseret teknisk servicecenter.**

►► 2.1. BRÆNDSTOFFÅFYLDNING:

•••2.1.1. Personalet, der påfylder brændstof, skal være kvalificeret og fuldt fortrolig med fabrikantens anvisninger og med de gældende regler for sikker brændstoffåfyldning af varmeapparater.

•••2.1.2. Brug kun den type brændstof, som udtrykkeligt er angivet på skiltet med tekniske data på varmeapparatet.

•••2.1.3. Beholderne til opbevaring af brændstoffet skal opbevares i en anden bygning.

•••2.1.4. Alle brændstofftanke skal befinde sig på sikker afstand af varmeapparatet i henhold til gældende regler.

•••2.1.5. Brændstoffet skal opbevares i rum, hvor gulvet ikke tillader gennemtrængning og drypning af brændstof på underliggende flammer der kan antænde brændstoffet.

•••2.1.6. Opbevaring af brændstof skal udføres i henhold til de gældende regler.

►► 2.2. SIKKERHED:

•••2.2.1. Kontroller at der er brandslukningsudstyr, som er tilstrækkeligt til varmeapparatets kapacitet, til rådighed.

•••2.2.2. Anvend aldrig varmeapparatet i rum, hvor der er benzin, opløsningsmidler eller andre letantændelige dampe.

•••2.2.3. Under brugen af varmeapparatet skal alle lokale vedtægter og gældende lovgivning følges.

- 2.2.4. Varmeapparater, der anvendes i nærheden af presenninger, telte eller lignende afdækningsmaterialer skal placeres i sikker afstand fra disse. Det anbefales også at bruge brandsikre afdækningsmaterialer.
- 2.2.5. Må kun anvendes i godt ventilerede rum. Sørg for, at der er en passende åbning i henhold til de gældende regler for at sikre, at der kommer frisk luft ind udefra.
- 2.2.6. Varmeapparatet må kun tilsluttes strøm med samme spænding og frekvens, som angivet på skiltet med tekniske data på varmeapparatet.
- 2.2.7. Kontroller at jordforbindelsen er korrekt.
- 2.2.8. Brug kun forlængerledninger med jordledning.
- 2.2.9. Strømtilførselslinjen til varmeapparatet skal være forsynet med jordforbindelse, fejlstrømsafbryder og overstrømsafbryder.
- 2.2.10. De mindste anbefalede sikkerhedsafstande mellem varmeapparatet og brandbare stoffer er: udløb foran = 2,5 m (8.5 ft.); på siden, ovenpå og på bagsiden = 1,5 m (5 ft.).
- 2.2.11. Placer varmeapparatet i drift, eller det varme varmeapparat, på et fast, plant underlag, for at undgå risikoen for brand.
- 2.2.12. Hold dyr på sikker afstand af varmeapparatet.
- 2.2.13. Kobl varmeapparatet fra strømtilførslen, når det ikke er i brug.
- 2.2.14. Når varmeapparatet er styret af en termostat, kan det tænde til enhver tid.
- 2.2.15. Anvend aldrig varmeapparatet i rum der ofte er beboet.
- 2.2.16. Varmeapparatets luftindtag (på bagsiden) eller luftudløb (på forsiden) må aldrig blokeres.
- 2.2.17. Varmeapparatet må aldrig håndteres eller udsættes for vedligeholdelse, når det er varmt, tilsluttet elektricitetsnettet eller i drift.

- 2.2.18. Luftindtaget og/eller -udløbet må ikke kanaliseres med mindre det sker med originale kit (når det er forudsat).
- 2.2.19. Hold brandbare og varmfølsomme materialer (inklusiv strømkablet) i passende afstand fra varmeapparatets varme dele.
- 2.2.20. Hvis strømkablet er beskadiget, skal det udskiftes af et autoriseret servicecenter for at forebygge enhver risiko.
- 2.2.21. Hvis brænderen udskiftes, skal der bruges originale reservedele, og specifikationerne for kapacitet, type af dyser og pumpetryk skal nøje overholdes. En forøgelse af brænderens kapacitet kan beskadige varmeapparatet.

da

3. UDPAKNING

ADVARSEL: Emballagen er ikke legetøj for børn. Hold plastikposen uden for børns rækkevidde; risiko for kvælning!

- 3.1. Fjern al emballage, som er anvendt til at emballere og forsende varmeapparatet. Bortskaf den i henhold til gældende regler.
- 3.2. Varmeapparatet er anbragt på pallen og skal løftes forsigtigt ved hjælp af kroge og kæder. Brug hullerne på varmeapparatet for at løfte det.
- 3.3. Kontroller for eventuelle skader opstået under transporten. Underret straks det autoriserede servicecenter, hvis varmeapparatet forekommer beskadiget.

4. DRIFTSPRICIPER

A. Forbrændingskammer, B. Brænderhoved, C. Blæser, D. Brænder, E. Styreudstyr, F. Skorsten.

(Fig. 2) Brænderens pumpe suger brændstof op af tanken og fører det til dysen under tryk, hvor det forstøves og blandes med forbrændingsluften

i forbrændingskammeret. En gnist antænder forbrændingen, og røggasserne ledes ud gennem skorstenen. En række følere kontrollerer hele tiden, at varmeapparatet fungerer korrekt, og standser driften i tilfælde af fejl. Blæseren på bagsiden af varmeapparatet afkøler forbrændingskammeret og røgplassen ved at overføre varmen fra sidstnævnte til omgivelserne.

da

5. INSTALLATIONSVEJLEDNING

GIV AGT: Følg nøje alle trin beskrevet i dette afsnit. Installationen må kun udføres af fagligt kvalificeret personale.

►► 5.1. ELEKTRISKE TILSLUTNINGER:

GIV AGT: Strømtilførselslinjen til varmeapparatet skal være forsynet med jordforbindelse, fejlstrømsafbryder og overstrømsafbryder.

Varmeapparatets standardudstyr omfatter alle styre- og sikkerhedsanordninger, som er nødvendige for varmeapparatets korrekte drift: el-tavle, brænder og sikkerhedstermostat med manuel nulstilling er allerede tilsluttede.

Under installationen skal tilslutningen til elektricitetsnettet forberedes og skal udføres med kabler med et passende tværsnit i overensstemmelse med de gældende nationale regler og skiltet med tekniske data på varmeapparatet.

BEMÆRK: DET ER UNDER ALLE OMSTÆNDIGHEDER HENSIGTSMÆSSIGT AT KONTROLLERE DE ELEKTRISKE TILSLUTNINGER, FØR VARMEAPPARATET STARTES.

►► 5.2. TILSLUTNING AF

UDLØBSLUFTSKANAL:

BRUG KUN ORIGINALE KIT TIL KANALEN. Installationen af udløbsluftskanalen kan udføres med den særlige spændestreg eller den særlige hurtigkobling.

►► 5.3. TILSLUTNING AF RØGRØRET:

Forbrændingsevnen og brænderens korrekte funktion afhænger af røgkanalens lufttræk. Det anbefales at hverken danne snævre bøjninger eller sektionsreduceringer i røgrøret. Varmeapparatet skal udstyres med et fortrinsvis lodret røgrør i stål og en trækregulator, hvis det ikke er tilsluttet en ekstern skorsten, som overholder specifikationerne angivet i denne vejledning.

6. BRÆNDSTOF

ADVARSEL: Varmeapparatet virker kun med **DIESEL** eller **PETROLEUM**.

Brug kun diesel eller petroleum. For at undgå risiko for brand eller eksplosion må der aldrig anvendes benzin, nafta, opløsningsmidler, sprit eller andre letantændelige brændstoffer.

Anvend ikke-giftige frostvæskeadditiver i tilfælde af meget lave temperaturer.

Det anbefales at bruge vinterdiesel ved temperaturer under 5°C (41°F).

7. BRUG

ADVARSEL: Læs "SIKKERHEDSINFORMATIONERNE" før varmeapparatet tændes.

IDENTIFICER VARMEAPPARATETS BETJENINGSPANEL (Fig. 3).

►► 7.1.1. START:

•••7.1.1.1. Kontroller at der er brændstof i kredsløbet.

•••7.1.1.2. Slut varmeapparatet til elektricitetsnettet (lyset i afbryderen tænder for at angive, at der er tilsluttet spænding).

•••7.1.1.3. Juster brænderens luftspjæld i henhold til dataene i tabellen (Fig. 4).

•••7.1.1.4. Sæt afbryderen på ON (Fig. 5) (først starter brænderen og efter cirka et minut blæseren).

BEMÆRK: LYSET I AFBRYDEREN SLUKKER UNDER DRIFT. HVIS BRÆNDEREN BLOKERER PÅ GRUND

AF EN FEJL, BEGYNDER LYSET I AFBRYDEREN AT BLINKE (ET LANGT BLINK EFTERFULGT AF TO KORTE BLINK).

BEMÆRK: VARMEAPPARATET HAR EN FØLER, DER KONSTANT OVERVÅGER TEMPERATUREN AF UDLØBSLUFTEN [VED NORMAL DRIFT SKAL UDLØBSLUFTENS TEMPERATUR VÆRE UNDER 95°C (203°F)]. HVIS UDLØBSLUFTENS TEMPERATUR OVERSTIGER 95°C (203°F), SLUKKER VARMEAPPARATET BRÆNDEREN (LYSET I AFBRYDEREN BEGYNDER AT BLINKE). BRÆNDEREN STARTER AUTOMATISK IGEN, NÅR TEMPERATUREN KOMMER UNDER 95°C (203°F).

►► 7.1.2. STOP:

VIGTIGT: Tag aldrig stikket ud for at slukke varmeapparatet.

VIGTIGT: Tag aldrig stikket ud, før varmeapparatet er helt slukket.

Sæt afbryderen på OFF (Fig. 5) og vent til varmeapparatet stopper helt. Når udløbsluftens temperatur kommer under 50°C (122°F), slukker blæseren, og lyset i afbryderen tænder for at angive, at der er tilsluttet spænding (hviletilstand).

►► 7.1.3. GENOPRETTELSE:

Under den normale drift kan det ske, at varmeapparatet blokerer (f.eks. pga. brændstofmangel), og i så fald skal det genoprettes:

••7.1.3.1. SÅDAN GENOPRETTES BRÆNDEREN: Find og fjern årsagen til blokeringen og tryk på resetknappen på brænderen i mindst ti sekunder for at genstarte den (Fig. 6).

••7.1.3.2. SÅDAN GENOPRETTES SIKKERHEDSTERMOSTATEN: Find og fjern årsagen til at sikkerhedstermostaten blev udløst og tryk derefter resetknappen på bagsiden af varmeapparatet i bund (Fig. 7).

••7.1.3.3. SÅDAN GENOPRETTES TERMOSIKRINGEN: Find og fjern årsagen til at termosikringen blev udløst

og tryk derefter på reset-knappen for at frigøre den (Fig. 8).

8. TILSLUTNING AF RUMTERMOSTAT

For at tilslutte rumtermostaten fjernes hættten fra stikket, og rumtermostaten (Ekstraudstyr) tilsluttes (Fig. 9).

9. OPBEVARING OG TRANSPORT

Varmeapparatet skal slukkes i henhold til den rette procedure og frakobles strømtilførslen før enhver håndtering. Vent til varmeapparatet er tilpas afkølet.

Inden varmeapparatet håndteres på nogen måde, skal det sikres, at støtten, som anvendes til at flytte det, er i stand til at bære vægten (vægten er angivet i apparatets tekniske specifikationer). Undlad at forsøge at løfte eller flytte varmeapparatet uden brug af egnede hjælpemidler (handlingen skal udføres med største forsigtighed for at undgå at sætte personer i fare eller forårsages skade på apparatet).

10. VEDLIGEHOLDELSE

VIGTIGT: Inden der udføres nogen form for vedligeholdelse eller reparation, skal strømkablet frakobles, og det skal sikres, at varmeapparatet er koldt.

Det anbefales at udføre regelmæssig vedligeholdelse for at bevare varmeapparatet bedst muligt og undgå uregelmæssigheder eller fejl.

►► 10.1. RENGØRING AF FORBRÆNDINGSKAMMERET:

VIGTIGT: Kontakt det autoriserede servicecenter for at udføre denne type vedligeholdelse.

Det anbefales at rengøre forbrændingskammeret og røgplassen mindst en gang om året og/eller efter behov for at undgå problemer med

skorstenstrækket og forbrændingen. Rengøring af forbrændingskammeret udføres gennem fem inspektionsåbninger på varmeapparatets forside.

Følg omhyggeligt nedenstående rækkefølge for rengøringen (gem skruer og skiver):

•••10.1.1. Fjern keglen til luftkanalen ved at skrue skruerne, der fastgør den til varmeapparatet, ud (Fig. 10).

•••10.1.2. Fjern pladerne, der lukker inspektionsåbningerne, ved at skrue skruerne ud (Fig. 11).

•••10.1.3. Fjern pakningerne og undlad at genbruge dem. Brug kun nye og originale pakninger (Fig. 12).

•••10.1.4. Sprøjt vand ind i kammeret med en højtryksspuler gennem inspektionsåbningerne (Fig. 13). Hold lansen i forskellige positioner så der kommer vand ind i alle forbrændingskammerets spalter.

•••10.1.5. Løft forbrændingskammeret bagpå for at få mest muligt vand ud af kammeret (dette skal gøres med stor

forsigtighed for at undgå fare for personer og skader på varmeapparatet) (Fig. 14).

•••10.1.6. Saml varmeapparatet ved at udføre trinnene i omvendt rækkefølge og udskift kun pakningerne med originale reservedele.

BEMÆRK: INDEN VARMEAPPARATET TÆNDES IGEN, SKAL DET SIKRES, AT DER ER FJERNET MEST MULIG VAND FRA FORBRÆNDINGSKAMMERET FOR AT FORHINDRE ALVORLIGE SKADER.

►► 10.2. RENGØRING AF BLÆSEREN:

Til den rutinemæssige rengøring af blæseren kan anvendes trykluft, som blæses gennem den bageste rist.

►► 10.3. RENGØRING AF BRÆNDEREN:

VIGTIGT: Kontakt det autoriserede servicecenter for at udføre denne type vedligeholdelse.

For rengøring af brænderen henvises til den specifikke vejledning, som skal læses og forstås.

11. PROGRAM FOR FOREBYGGENDE VEDLIGEHOLDELSE

ADVARSEL: FØR DER UDFØRES NOGEN FORM FOR VEDLIGEHOLDELSE ELLER REPARATION, SKAL STRØMKABLET FRAKOBLES, OG DET SKAL SIKRES, AT VARMEAPPARATET ER KOLDT.

DEL	VEDLIGEHOLDSESINTERVAL	VEDLIGEHOLDSESPROCEDURE
Sikkerhedstermostat	Årlig kontrol og/eller efter behov	Kontakt det autoriserede servicecenter
Dyse	Årlig udskiftning og/eller efter behov	Kontakt det autoriserede servicecenter
Elinstallation	Årlig kontrol og/eller efter behov	Kontakt det autoriserede servicecenter
Blæser	Årlig rengøring og/eller efter behov	Kontakt det autoriserede servicecenter
Motor	Årlig kontrol og/eller efter behov	Kontakt det autoriserede servicecenter
Brændstofpumpe	Årlig kontrol og/eller efter behov	Kontakt det autoriserede servicecenter
Forbrændingskammer	Årlig kontrol og/eller efter behov	Kontakt det autoriserede servicecenter

12. IDENTIFIKATION AF PROBLEM

PROBLEM	MULIG ÅRSAG	MULIG LØSNING
Varmeapparatet starter ikke eller forbliver ikke tændt	<ol style="list-style-type: none">1. Ingen strømtilførsel2. Strømkablet er afbrudt3. Elektronik skal resettes eller er defekt4. Forkert indstilling af rumtermostaten (hvis tilsluttet)5. Der mangler brændstof6. Der er fremmedlegemer i brændstofskredsløbet	<ol style="list-style-type: none">1a. Kontroller at der er strøm1b. Kontroller at varmeapparatet er tilsluttet den rette strømtilførsel1c. Kontakt det autoriserede servicecenter2. Kontakt det autoriserede servicecenter3a. Reset varmeapparatet3b. Kontakt det autoriserede servicecenter4. Indstil termostaten til en højere temperatur end arbejdsomgivelsernes5. Fyld brændstof på og reset eventuelt varmeapparatet6. Kontakt det autoriserede servicecenter
Varmeapparatet ryger under drift	<ol style="list-style-type: none">1. Der er fremmedlegemer i brændstofskredsløbet2. Luftindtaget er blokeret	<ol style="list-style-type: none">1. Kontakt det autoriserede servicecenter2. Fjern alle tænkelige hindringer på gitteret bagpå
Varmeapparatet slukker ikke	<ol style="list-style-type: none">1. Elektronikfejl	<ol style="list-style-type: none">1. Kontakt det autoriserede servicecenter

TÄRKEÄÄ: LUE JA YMMÄRRÄ TÄMÄN KÄYTTÖOPPAAN SISÄLTÖ ENNEN TÄMÄN LÄMMITTIMEN KOKOONPANOJA, KÄYTTÖÖNOTTOA TAI HUOLTOA. LÄMMITTIMEN VÄÄRINKÄYTTÖ VOI AIHEUTTAA VAKAVIA TAI KUOLETTAVIA VAMMOJA. SÄILYTÄ TÄTÄ OPASTA TULEVAA KÄYTTÖÄ VARTEN.


1. KUVAUS


(Kuva 1) Tämä lämmitin on varustettu omalla polttimella, palamiskammioilla, jossa savujen poistokanava ulos, ja tehokkaalla kuumen ilman puhaltimella. Ilma lämpenee palamisessa syntyvän lämpöenergian kautta, joka välittyy siihen palamiskammion ja savuputken metallipintojen kautta kulkevan lämmönvaihdon avulla.

Puhallusilman ja savujen reitit on erotettu metallipinnoilla, jotka on liitetty yhteen hitsaamalla ja tiivisteillä. Palamistuotteet johdetaan poistokanavaan. Tämä on yhdistettävä savupiippuun tai hormiin, jonka mitat ovat riittävät savujen poistamiseen. Palamisilma, eli palamiseen tarvittava ilma, imetään suoraan polttimeen, joka ottaa sen ympäröivästä tilasta. Polttimen mittojen ja työolosuhteiden on taattava riittävä ilmanvaihto.

2. TIETOA TURVALLISUUDESTA

VAROITUKSET

 **TÄRKEÄÄ:** Tämä laite ei sovellu sellaisten henkilöiden käyttöön (mukaan lukien lapset), joiden fyysiset, aistinvaraiset tai henkiset kyvyt ovat rajoittuneet, tai joilla ei ole riittävä kokemusta, muuten kuin heidän turvallisuudestaan vastaavan henkilön valvonnassa. Lapsia on valvottava, jotta he eivät leiki laitteella.

 **VAARA:** Hiilimonoksidin hengittäminen voi aiheuttaa kuolemanvaaran.

Ensimmäiset hiilimonoksidin tukehtumisoireet muistuttavat flunssan oireita yhdessä päänsäryn, huimauksen ja/tai pahoinvoinnin kanssa. Nämä oireet

voivat johtua lämmittimen viallisesta toiminnasta. **JOS NÄITÄ OIREITA ILMENEE, POISTU VÄLITTÖMÄSTI ULKOILMAAN** ja korjauta lämmitin valtuutetun teknikon toimesta.

►► 2.1. TÄYTTÄMINEN:

•••2.1.1. Laitteen tankkauksesta vastuussa olevan henkilön on oltava tehtävään pätevä ja tunnettava täydellisesti valmistajan ohjeet sekä lämmittimien turvallista täyttöä koskevat voimassa olevat määräykset.

•••2.1.2. Käytä ainoastaan lämmittimen teknisten tietojen tarrassa merkittyä polttoainetyyppejä.

•••2.1.3. Polttoaineen säilytysastioita on säilytettävä erillisessä rakennuksessa.

•••2.1.4. Kaikkia polttoainesäiliöitä on säilytettävä voimassa olevien määräysten mukaisella turvaetäisyydellä lämmittimestä.

•••2.1.5. Polttoainetta on säilytettävä paikoissa, joiden lattia ei salli aineen imeytymistä tai valumista tuleen, mikä voisi aiheuttaa sen syttymisen.

•••2.1.6. Polttoainetta on säilytettävä voimassa olevien määräysten mukaisesti.

►► 2.2. TURVALLISUUS:

•••2.2.1. Tarkista, että sammutuslaitteita on saatavilla ja että ne on mitoitettu lämmittimen tehon mukaan.

•••2.2.2. Älä koskaan käytä lämmittimiä paikoissa, joissa on bensiiniä, maalin liuottimia tai muita erittäin syttyviä höyryjä.

•••2.2.3. Lämmittimen käytön aikana noudata kaikkia paikallisia määräyksiä ja voimassa olevaa lainsäädäntöä.

•••2.2.4. Lämmittimet, joita käytetään kankaiden, verhojen tai muiden samantyyppisten peitteiden

- läheisyydessä, on sijoitettava riittävälle turvaetäisyydelle. Suosittelemme myös käyttämään palamattomia peitemateriaaleja.
- 2.2.5. Käytä ainoastaan hyvin tuuletetuissa tiloissa. Varmista sopivat tuuletusaukot voimassa olevien määräysten mukaan, ulkoa tulevan raikkaan ilman sisääntulon takaamiseksi.
 - 2.2.6. Lämmittimen virtalähteen jännitteen ja taajuuden on vastattava lämmittimen teknisten tietojen tarrassa määritetyt arvoja.
 - 2.2.7. Varmista oikeaoppinen maadoitus.
 - 2.2.8. Käytä vain maajohtimella varustettuja jatkojohtoja.
 - 2.2.9. Lämmittimen virransyöttölinja on varustettava maadoituksella, vikavirtasuojakytkimellä ja turvakytkimellä.
 - 2.2.10. Suositeltavat v ä h i m m ä i s t u r v a e t ä i s y y d e t lämmittimen ja syttyvien aineiden välillä ovat: edessä = 2,5 m (8.5 ft.); sivussa, yläpuolella ja takana = 1,5 m (5 ft.).
 - 2.2.11. Sijoita kuuma tai käynnissä oleva lämmitin vakaalle ja tasaiselle pinnalle, tulipaloriskin välttämiseksi.
 - 2.2.12. Pidä eläimet turvaetäisyydellä lämmittimestä.
 - 2.2.13. Irrota lämmittimen sähköjohto, kun se ei ole käytössä.
 - 2.2.14. Kun lämmitin käyttää termostaattia, se voi käynnistyä milloin tahansa.
 - 2.2.15. Älä käytä lämmitintä koskaan yleisesti asutuissa tiloissa.
 - 2.2.16. Älä tuki koskaan lämmittimen ilmanottoaukkoa (takana) tai ilman poistumistietä (edessä).
 - 2.2.17. Kun lämmitin on kuuma, liitetynä virransyöttöön tai käytössä, sitä ei saa käsitellä tai sille ei saa tehdä huoltotöitä.

- 2.2.18. Vältä tuloilman ja/tai poistoilman kanavoittoa muilla kuin alkuperäisillä lisäosilla (jos käytössä).
- 2.2.19. Säilytä syttyvät ja lämmölle alttiita materiaaleja (mukaan lukien virtajohto) riittävällä etäisyydellä lämmittimen kuumista osista.
- 2.2.20. Jos virtajohto vaikuttaa vaurioituneelta, se on annettava valtuutetun huoltopalvelun vaihdettavaksi, kaikkien riskien välttämiseksi.
- 2.2.21. Polttimen vaihtotapauksessa on käytettävä alkuperäisiä varaosia ja noudatettava tarkasti määritettyä kapasiteettia, suutintyyppiä ja pumpun painetta. Polttimen tehon lisäys voi vaurioittaa lämmitintä.

3. PAKKAUKSEN PURKAMINEN

VAROITUS: Pakkausmateriaali ei ole lasten leikkikalua. Säilytä muovipussia lasten ulottumattomissa; aiheuttaa tukehtumisvaaran!

- 3.1. Poista kaikki lämmittimen pakkaukseen ja lähetykseen käytetyt päällystemateriaalit. Hävitä ne voimassa olevien määräysten mukaan.
- 3.2. Lämmitin on sijoitettu korokkeelle, nosta sitä varovasti koukkujen ja ketjujen avulla. Lämmittimen nostamiseen on käytettävä rakenteessa olevia nostoaukkoja.
- 3.3. Tarkista mahdolliset kuljetuksen aikana syntyneet vauriot. Jos lämmitin vaikuttaa vaurioituneelta, ota välittömästi yhteyttä valtuutettuun tekniseen huoltoon.

4. TOIMINTAPERIAATE

A. Palamiskammio, **B.** Palopää, **C.** Puhallin, **D.** Poltin, **E.** Ohjauslaite, **F.** Savupiippu.

(Kuva 2) Polttimen pumppu imee polttoaineen säiliöstä ja lähettää sen paineella suuttimeen, jossa se

sumutetaan ja sekoitetaan palamisilmaan palamiskammiossa. Kipinä sytyttää palamisen samalla kun savut erotetaan savupiippuun. Sarja antureita seuraa jatkuvasti lämmittimen toimintaa, ja pysäyttää toiminnan häiriötapauksissa. Lämmittimen takaosaan sijoitetun puhaltimen tehtävänä on jäähdyttää palamiskammiota ja savuputkea, välittämällä näiden lämpö ympäristöön.

fi

5. ASENNUSOHJEET

HUOMIO: Noudata tarkasti kaikkia tässä kappaleessa annettuja toimenpiteitä. Asennuksen saa tehdä vain ammatillisesti pätevä henkilö.

►► 5.1. SÄHKÖKYTKENNÄT:

HUOMIO: Lämmittimen virransyöttölinja on varustettava maadoituksella, vikavirtasuojakytkimellä ja turvakytkimellä.

Lämmittimen vakiosarjan mukana tulevat kaikki sen toiminnalle välttämättömät ohjaus- ja turvalaitteet: sähkötaulu, poltin, manuaalisesti kytkettävä turvatermostaatti ovat jo liitettynä.

Asennuksen aikana suoritetaan sähkökytkennät, jotka on tehtävä sopivan poikkipinta-alan mukaisilla kaapeleilla voimassa olevien paikallisten määräysten ja lämmittimeen liitetyn teknisen tietotarran mukaisesti.

HUOM: ENNEN LÄMMITTIMEN KÄYNNISTÄMISTÄ SÄHKÖKYTKENNÄT ON KUITENKIN HYVÄ TARKISTAA.

►► 5.2. POISTOILMAKANAVAN LIITÄNTÄ:

KÄYTÄ KANAVOINNISSA VAIN ALKUPERÄISIÄ LISÄOSIA.

Poistoilman kanavoinnin asennus voidaan tehdä asianmukaisella kiristysnauhalla tai pikaliittimellä.

►► 5.3. SAVUJEN POISTOPUTKEN LIITÄNTÄ:

Lämpötehokkuus ja hyvä toiminta liittyvät suoraan savujen poistoputken hyvään vetoon. Emme suosittele tekemään tukkeutuvia kulmia tai poikkipinta-alan kavennuksia savujen poistoputkeen. Lämmitin on varustettava yleensä pystysuoralla teräksisellä savujen poistoputkella ja vedon säätimellä, ellei tätä ole liitetty ulkoiseen savujen poistopiippuun, noudattaen tässä teknisessä oppaassa annettuja ohjeita.

6. POLTTOAINE

VAROITUS: Lämmitin toimii vain DIESELILLÄ tai PETROLILLA.

Käytä ainoastaan dieseliä tai petrolia. Tulipalo- tai räjähdysriskin välttämiseksi älä käytä koskaan bensiiniä, naftaa, maalin liuottimia, alkoholia tai muita erittäin syttyviä polttoaineita.

Käytä myrkyttömiä jäänestoaineita, jos lämpötila on hyvin alhainen.

Suosittelemme käyttämään talvikäyttöistä dieselpolttoainetta alle 5°C (41°F):een lämpötiloissa.

7. TOIMINTA

VAROITUS: Lue huolellisesti kohta ”TIETOA TURVALLISUUDESTA”, ennen lämmittimen käynnistämistä.

ETSI LÄMMITTIMEN OHJAUSPANEELI (Kuva 3).

►► 7.1.1. KÄYNNISTYS:

•••7.1.1.1. Tarkista, että kierrossa on polttoainetta.

•••7.1.1.2. Yhdistä lämmitin sähköverkkoon (katkaisijan valosignaali syttyy, ilmoittaen päällä olevasta virrasta).

•••7.1.1.3. Säädä polttimen ilmasulkuja taulukon tietojen mukaan (Kuva 4).

•••7.1.1.4. Aseta käynnistyskytkin asentoon ON (Kuva 5) (poltin käynnistyy ensin ja noin minuutin jälkeen alkaa tuuletus).

HUOM: TOIMINNAN AIKANA KYTKIMEN VALOMERKKI SAMMUU. JOS POLTTIN JUMIUTUU HÄIRIÖN VUOKSI, KYTKIMEN VALOMERKKI ALKAA VILKKUA (PITKÄ VILKKU, KAKSI LYHYTTÄ VILKKUA).

HUOM: LÄMMITTIMESSÄ ON ANTURI, JOKA SEURAA JATKUVASTI POISTOILMAN LÄMPÖTILAA [NORMAALITOIMINNASSA POISTOILMAN LÄMPÖTILAN TULEE OLLA ALLE 95°C (203°F)]. JOS POISTOILMAN LÄMPÖTILA YLITTÄÄ 95°C (203°F), LÄMMITIN SAMMUTTAA POLTTIMEN (KYTKIMEN VALOMERKKI ALKAA VILKKUA). KUN LÄMPÖTILA PALAA ALLE 95°C (203°F):een LÄMMITIN KÄYNNISTYY UUELLEEN AUTOMAATTISESTI.

►► 7.1.2. SAMMUTUS:

TÄRKEÄÄ: Älä koskaan vedä sähköpistoketta irti lämmittimen sammuttamiseksi.

TÄRKEÄÄ: Älä koskaan irrota sähköpistoketta ennen kuin lämmitin on täysin sammunut.

Aseta käynnistyskytkin asentoon OFF (Kuva 5), ja odota että lämmitin sammuu kokonaan. Kun poistoilman lämpötila laskee alle 50°C (122°F), puhallin sammuu ja kytkimen valomerkki syttyy ilmoittamaan päällä olevasta virrasta (lepoasento).

►► 7.1.3. NOLLAUS:

Normaalitoiminnan aikana on mahdollista, että lämmitin lukittuu (esim. polttoaineen puuttumisen vuoksi), tässä tapauksessa lämmitin on nollattava:

••7.1.3.1. POLTTIMEN NOLLAUS: Etsi ja poista lukittumisen aiheuttanut tekijä. Polttimen uudelleen käynnistämiseksi paina vähintään 10 sekuntia polttimessa olevaa nollauspainiketta (Kuva 6).

••7.1.3.2. TURVATERMOSTAATIN NOLLAUS: Etsijapoistaturvatermostaatin laukeamiseen johtanut tekijä. Paina sitten lämmittimen takana oleva nollauspainike pohjaan (Kuva 7).

••7.1.3.3. LÄMPÖKATKAISIJAN NOLLAUS: Etsijapoista lämpökatkaisijan laukeamiseen johtanut tekijä. Paina sitten nollauspainiketta sen vapauttamiseksi (Kuva 8).

8. HUONETERMOSTAATIN KYTKENTÄ

Huonetermostaatin kytkemiseksi poista sille tarkoitettun pistorasian korkki ja liitä siihen huonetermostaatti (Lisälaite) (Kuva 9).

9. SÄILYTYS JA KULJETUS

Ennen laitteen minkäänlaista liikuttamista lämmitin on sammutettava oikeaoppisin toimenpitein ja irrotettava virransyötöstä. Odota, että lämmitin on jäähtynyt tarpeeksi. Ennen minkäänlaista liikuttamista varmista, että lämmittimen siirtoon käytetty tuki pystyy kannattelemaan painoa (paino on ilmoitettu laitteen teknisissä tiedoissa). Älä yritä nostaa tai siirtää lämmitintä ilman tarkoitukseen sopivia välineitä (tämä toimenpide on tehtävä erittäin varovaisesti henkilövahinkojen ja lämmittimen vaurioiden välttämiseksi).

10. HUOLTO

TÄRKEÄÄ: Ennen mitään huolto- tai korjaustoimia, irrota virtajohto ja varmista, että lämmitin on kylmä.

Lämmittimen optimaalista säilyttämistä varten, ja mahdollisten häiriöiden ja vikojen välttämiseksi, suosittelemme huoltamaan laitteen säännöllisesti.

►► 10.1. PALAMISKAMMION PUHDISTUS:

TÄRKEÄÄ: Tämä huolto voidaan suorittaa ottamalla yhteyttä valtuutettuun tekniseen palveluun.

On suositeltavaa puhdistaa palamiskammio ja savuputki vähintään kerran vuodessa ja/tai tarpeen mukaan, savupiipun veto- ja palamisongelmien välttämiseksi. Palamiskammion puhdistus tapahtuu lämmittimen etuosassa olevien viiden tarkastusaukon kautta.

Puhdistusta varten suoritetaan tarkasti seuraavat kohdat (säilytä ruuvit ja aluslevyt huolella):

- 10.1.1. Poista ilman kanavointikartio avaamalla ruuvit, jotka kiinnittävät sen lämmittimeen (Kuva 10).
- 10.1.2. Poista tarkastusaukot sulkevat levyt avaamalla ruuvit (Kuva 11).
- 10.1.3. Poista asennetut tiivisteet ja älä käytä niitä uudelleen. Käytä vain uusia ja alkuperäisiä tiivisteitä (Kuva 12).
- 10.1.4. Suihkuta vettä korkealla paineella kammion sisälle tarkastusaukkojen kautta (Kuva 13). Pesuvaiheessa kallista ruiskua eri asentoihin, niin että vettä pääsee kaikkiin palamiskammion koloihin.
- 10.1.5. Nosta palamiskammion takaosaa niin että mahdollisimman paljon vettä poistuu itse kammion sisältä (tämä

toimenpide on suoritettava erityisen varovaisesti henkilöille ja lämmittimelle aiheutuvien vahinkojen välttämiseksi) (Kuva 14).

- 10.1.6. Kokoa lämmitin suorittamalla nämä toimenpiteet päinvastaisessa järjestyksessä, vaihtamalla tiivisteet vain alkuperäisiin varaosiin.

HUOM: ENNEN LÄMMITTIMEN UUDELLEENKÄYNNISTYSTÄ VARMISTA, ETTÄ OLET POISTANUT PALAMISKAMMION SISÄLTÄ MAHDOLLISIMMAN PALJON VETTÄ VAKAVIEN VAMMOJEN VÄLTÄMISEKSI.

▶▶ 10.2. PUHALTIMEN PUHDISTUS:

Puhaltimen normaalipuhdistus tapahtuu paineilmalla, puhaltamalla ilmaa takaritilän kautta.

▶▶ 10.3. POLTTIMEN PUHDISTUS:

TÄRKEÄÄ: Tämä huolto voidaan suorittaa ottamalla yhteyttä valtuutettuun tekniseen palveluun.

Polttimen puhdistuksen aikana lue ja ymmärrä erityisopas.

11. ENNALTAEHKÄISEVÄN HUOLLON OHJELMA

VAROITUS: ENNEN MITÄÄN HUOLTO- TAI KORJAUSTOIMIA, IRROTA VIRTajohto JA VARMISTA, ETTÄ LÄMMITIN ON KYLMÄ.

KOMPONENTTI	HUOLTOVÄLI	HUOLTOTOIMENPIDE
Turvatermostaatti	Vuositarkastus ja/tai tarkastus tarpeen mukaan	Ota yhteyttä valtuutettuun huoltopalveluun
Suutin	Vuosittainen vaihto ja/tai vaihto tarpeen mukaan	Ota yhteyttä valtuutettuun huoltopalveluun
Sähköjärjestelmä	Vuositarkastus ja/tai tarkastus tarpeen mukaan	Ota yhteyttä valtuutettuun huoltopalveluun
Puhallin	Vuosittainen puhdistus ja/tai puhdistus tarpeen mukaan	Ota yhteyttä valtuutettuun huoltopalveluun
Moottori	Vuositarkastus ja/tai tarkastus tarpeen mukaan	Ota yhteyttä valtuutettuun huoltopalveluun
Polttoainepumppu	Vuositarkastus ja/tai tarkastus tarpeen mukaan	Ota yhteyttä valtuutettuun huoltopalveluun
Palamiskammio	Vuositarkastus ja/tai tarkastus tarpeen mukaan	Ota yhteyttä valtuutettuun huoltopalveluun

12. ONGELMAN SELVITTÄMINEN

ONGELMA	MAHDOLLINEN SYY	MAHDOLLINEN RATKAISU
Lämmitin ei käynnisty tai ei pysy päällä	<ol style="list-style-type: none">1. Virta puuttuu2. Virtajohto katkaistu3. Nollattava tai viallinen elektroniikka4. Huonetermostaatin virheellinen asetus (jos käytössä)5. Polttoainetta puuttuu6. Polttoaineen kierrossa vieraita aineita	<ol style="list-style-type: none">1a. Tarkista virransyöttö1b. Tarkista, että lämmitin on liitetty oikein virransyöttöön1c. Ota yhteyttä valtuutettuun huoltopalveluun2. Ota yhteyttä valtuutettuun huoltopalveluun3a. Nollaa lämmitin3b. Ota yhteyttä valtuutettuun huoltopalveluun4. Säädä huonetermostaattia vaihtamalla sen asetuslämpötila työympäristön lämpötilaa korkeampaan lämpötilaan5. Täytä polttoainetta ja tarvittaessa nollaa lämmitin6. Ota yhteyttä valtuutettuun huoltopalveluun
Lämmitin tuottaa savua toiminnan aikana	<ol style="list-style-type: none">1. Polttoaineen kierrossa vieraita aineita2. Tuloilmanottoaukon tukos	<ol style="list-style-type: none">1. Ota yhteyttä valtuutettuun huoltopalveluun2. Poista kaikki mahdolliset takaritilän tukokset
Lämmitin ei sammuu	<ol style="list-style-type: none">1. Elektroniikkavika	<ol style="list-style-type: none">1. Ota yhteyttä valtuutettuun huoltopalveluun

VIKTIG: LES OG FORSTÅ DENNE MANUALEN FØR DU UTFØRER MONTERING, IGANGSETTING ELLER VEDLIKEHOLD AV DENNE LUFTVARMEREN. FEIL BRUK AV LUFTVARMEREN KAN FØRE TIL ALVORLIGE SKADER ELLER DØD. TA VARE PÅ DENNE MANUALEN FOR FREMTIDIG BRUK.


1. BESKRIVELSE

(Fig. 1) Denne luftvarmeren er utstyrt med en brenner, et brennkammer med ekstern utledning av røyk og en høy kapasitet vifte for varmluft. Varmen produseres ved en forbrenningsprosess der varmen fra røyken overføres gjennom varmevekslingen med metallveggene i forbrenningskammeret og sirkuleringen av røyken.

Luften og røyken passerer gjennom to adskilte kanaler, begge sveiset og forseglet. Forbrenningsproduktene ledes gjennom en kanal som må være koblet til en skorstein eller et avtrekksrør. Skorsteinen eller avtrekksrøret må være store nok til å sikre effektiv utledning av røyken. Forbrenningsluften som er nødvendig for forbrenningsprosessen tas direkte fra rommet ved hjelp av brenneren; størrelsen på denne og arbeidsforholdene, må kunne sikre tilstrekkelig luftgjennomgang.

2. SIKKERHETSINFORMASJON

ADVARSLER

 **VIKTIG:** Apparatet er ikke egnet for personer (inkludert barn) med reduserte fysiske, sensoriske eller mentale evner, eller manglende erfaring og kunnskap, med mindre de kontrolleres av en person som er ansvarlig for deres sikkerhet. Barn må kontrolleres, slik at de ikke leker med apparatet.

 **FARE:** Kullosforgiftning kan være dødelig.

De første symptomene på kullosforgiftning ligner på influensasymptomer, med hodeverk, svimmelhet og/eller kvalme. Disse

symptomene kan være forårsaket av feil funksjon av luftvarmeren. **DER SOM DISSE SYMPTOMENE SKULLE OPPSTÅ, GÅ UMIDDELBART UT I FRISK LUFT** og sørg for at luftvarmeren repareres av autorisert servicesenter.

►► 2.1. PÅFYLLING:

•••2.1.1. Personellet som skal utføre påfyllingen, må være kvalifisert og ha full oversikt over produsentens instruksjoner og det gjeldende regelverket om sikker fylling av varmeapparater.

•••2.1.2. Bruk utelukkende drivstoffet spesifisert på merkeskiltet til luftvarmeren.

•••2.1.3. Lagringstanker med drivstoff bør plasseres i et eget anlegg.

•••2.1.4. Alle drivstofftanker må plasseres på en minste sikkerhetsavstand fra luftvarmeren, i henhold til gjeldende regelverk.

•••2.1.5. Drivstoffet skal oppbevares i rom der gulvet ikke tillater inntrengning og drypp av drivstoffet på underliggende flammer, som kan antenne drivstoffet.

•••2.1.6. Oppbevaring av drivstoffet skal gjøres i henhold til gjeldende regelverk.

►► 2.2. SIKKERHET:

•••2.2.1. Kontroller at brannsikringsutstyret er tilgjengelig og at det er egnet til luftvarmerens kapasitet.

•••2.2.2. Bruk aldri luftvarmeren i rom med bensin, løsemidler for maling eller andre lettantennelige gasser.

•••2.2.3. Ved bruk av luftvarmeren må du følge alle lokale forskrifter og gjeldende regelverk.

- 2.2.4. Luftvarmere brukt i nærheten av gardiner eller andre draperier, skal holdes på sikkerhetsavstand fra disse. Det er anbefalt å bruke brannsikre draperier.
- 2.2.5. Skal brukes på godt ventilerte områder. Innrett et egnet område i henhold til gjeldende forskrifter, slik at fuktig luft kan komme utenfra.
- 2.2.6. Bruk luftvarmeren bare med en strømtilførsel som tilsvarer kravene for spenning og frekvens som er å finne på merkeplaten på apparatet.
- 2.2.7. Kontroller riktig jording.
- 2.2.8. Bruk utelukkende skjøtledninger med jordet kabel.
- 2.2.9. Luftvarmerens elektriske strømforsyningslinje skal være jordet og utstyrt med en magnetotermisk bryter med differensial.
- 2.2.10. Minimum anbefalt sikkerhetsavstand mellom luftvarmeren og brannfarlige stoffer er: fremre utgang = 2,5 m (8.5 ft.); side, topp og på baksiden = 1,5 m (5 ft.).
- 2.2.11. Plasser luftvarmeren når den er varm eller i drift, på en stødig og nivellert overflate, slik at brannfare unngås.
- 2.2.12. Hold dyr på sikker avstand fra luftvarmeren.
- 2.2.13. Koble luftvarmeren fra strømforsyningen når den ikke er i bruk.
- 2.2.14. Når luftvarmeren kontrolleres av en termostat, kan den slå seg på til enhver tid.
- 2.2.15. Bruk ikke luftvarmeren i rom der det ofte oppholder seg personer.
- 2.2.16. Ikke blokker luftinntaket (bak) eller luftuttaket (foran) på luftvarmeren.
- 2.2.17. Når luftvarmeren er varm eller er koblet til den elektriske strømforsyningen eller er i drift, skal den ikke betjenes eller gjøres vedlikehold på.
- 2.2.18. Unngå å lede luft i inngang og/eller utgang uten bruk av originale kanal-sett (der dette er relevant).

- 2.2.19. Hold brennbare eller varmfølsomme materialer (inkludert strømkabelen) på tilstrekkelig avstand fra de varme delene av luftvarmeren.
- 2.2.20. Hvis strømkabelen er skadet, må den skiftes ut av et autorisert servicesenter slik at enhver risiko unngås.
- 2.2.21. Ved utskiftning av brenner, bruk originale reservedeler, følg nøye alle henvisninger om kapasitet, type dyse og pumpetrykk. En økning i effekten til luftvarmeren kan skade apparatet.

3. UTPAKKING

ADVARSEL: Emballasjematerialet er ikke et leketøy for barn. Oppbevar plastposen utilgjengelig for bare; fare for kvelning!

- 3.1. Fjern alt emballasjematerialet som er brukt til å pakke inn og sende luftvarmeren. Kasser dette i henhold til gjeldende forskrifter.
- 3.2. Luftvarmeren er plassert på en pall, løft den forsiktig ved hjelp av kroker og kjeder. For å løfte luftvarmeren bruk hullene på strukturen.
- 3.3. Kontroller eventuelle skader som er påført under transporten. Hvis luftvarmeren viser tegn på skade, må du umiddelbart varsle et autorisert servicesenter.

4. DRIFTSPRINSIPP

A. Forbrenningskammer, **B.** Flammehode, **C.** Vifte, **D.** Brenner, **E.** Kontrollapparat, **F.** Skorstein.

(Fig. 2) Pumpen på brenneren suger drivstoffet fra tanken og sender det til dysen under trykk, der blir den forstøvet og blandet med forbrenningsluft i forbrenningskammeret. En gnist utløser forbrenningen mens spillgassene blir støtt ut fra skorsteinen. Flere sensorer kontrollerer kontinuerlig riktig drift av

luftvarmeren, og stopper syklusen ved feil. Viften er plassert i den bakre delen av luftvarmeren, og skal kjøle ned forbrenningskammeret og sirkuleringen av røyk, slik at varmen overføres fra disse til omgivelsene.

5. INSTALLASJONSINSTRUKSER

ADVARSEL: Følg nøye alle operasjoner som beskrives i dette avsnittet. Installasjonen skal utelukkende utføres av kvalifisert fagpersonell.

►► 5.1. ELEKTRISKE TILKOBLINGER:

ADVARSEL: Luftvarmerens elektriske strømforsyningslinje skal være jordet og utstyrt med en magnetotermisk bryter med differensial.

Standard utrustning på luftvarmeren omfatter alle kontroll- og sikkerhetsinnretningene som er avgjørende for riktig drift: strømtavle, brenner og sikkerhetstermostat med manuell tilbakestilling er allerede tilkoblet. Under installasjonen må tilkobling til strømforsyningen legges opp. Dette skal gjøres med kabler med kabelsnitt som oppfyller kravene i de gjeldene nasjonale forskrifter og de tekniske spesifikasjonene på luftvarmeapparatets merkeskilt.

MERK: FØR DU STARTER LUFTVARMEREN BØR DU KONTROLLERE DE ELEKTRISKE TILKOBLINGENE.

►► 5.2. TILSLUTNING TIL LUFTKANALER I UTGANG:

BRUK KUN ORIGINALE KANAL-SETT. Installasjon av luftkanalen i utgang kan utføres ved hjelp av det spesielle strammebåndet eller med hurtigkoblingen.

►► 5.3. TILSLUTNING TIL AVTREKKET:

Forbrenningsevne og korrekt funksjon avhenger av trekket i skorsteinen. Unngå krappe kurver og diameterreduksjoner

på skorsteinen. Luftvarmeren må ha et loddrett avtrekk i stål med en trekkregulator, dersom den ikke er koblet til en ekstern skorstein, i henhold til spesifikasjonene angitt i denne bruksanvisningen.

6. DRIVSTOFF

ADVARSEL: Luftvarmeren fungerer bare med **DIESEL** eller **PARAFIN**.

Bruk utelukkende diesel eller parafin. For å unngå risiko for brann eller eksplosjon, bruk aldri bensin, nafta, tynner, alkohol eller andre svært brennbare drivstoff.

Bruk giftfrie frosthindrende tilsetningsstoff ved svært lave temperaturer.

Vi anbefaler vinterdiesel ved temperaturer under 5°C (41°F).

7. DRIFT

ADVARSEL: Før du slår på luftvarmeapparatet, vennligst les nøye gjennom **“SIKKERHETSINFORMASJON”**.

IDENTIFISERE LUFTVARMERENS KONTROLLPANEL (Fig. 3).

►► 7.1.1. SLÅ PÅ:

•••7.1.1.1. Kontroller at det finnes drivstoff i kretsen.

•••7.1.1.2. Koble luftvarmeren til strømnettet (lyssignalet på bryteren tennes, som signal på at spenning er til stede).

•••7.1.1.3. Juster luftspjeldet til brenneren i henhold til dataene i tabellen (Fig. 4).

•••7.1.1.4. Sett på-knappen på ON (Fig. 5) (først starter brenneren og etter ca. ett minutt starter ventilasjonen).

MERK: UNDER DRIFT SLUKKES LYSSIGNALET PÅ BRYTEREN. VED BLOKKERING AV LUFTVARMEREN PÅ GRUNN AV EN FEIL, BEGYNNER LYSSIGNALET PÅ BRYTEREN Å BLINKE (ET KORT BLINK ETTERFULGT AV TO KORTE BLINK).

MERK: LUFTVARMEREN HAR EN SENSOR SOM HELE TIDEN

OVERVÅKER DEN UTGÅENDE LUFTTEMPERATUREN [FOR NORMAL DRIFT, MÅ DEN UTGÅENDE LUFTTEMPERATUREN VÆRE UNDER 95°C (203°F)]. HVIS UTGÅENDE LUFTTEMPERATUREN OVERSKRIDER 95°C (203°F), SLÅR LUFTVARMEREN AV BRENNEREN (LYSSIGNALET PÅ BRYTEREN BEGYNNER Å BLINKE). NÅR TEMPERATUREN RETURNERER UNDER 95°C (203°F), AKTIVERES LUFTVARMEREN AUTOMATISK.

▶▶ 7.1.2. SLÅ AV:

VIKTIG: Trekk aldri ut støpselet for å slå av luftvarmeren.

VIKTIG: Trekk aldri ut støpselet før luftvarmeren er helt avslått.

Sett på-knappen på OFF (Fig. 5), og vent til luftvarmeren stopper helt. Når utgående lufttemperatur synker under 50°C (122°F), slukkes viften og bryterens lyssignal tennes for å signalisere at spenningen er til stede (hviletilstand).

▶▶ 7.1.3. GJENOPPRETTING:

Under ordinært drift kan det forekomme at luftvarmeren blokkeres (for eksempel ved mangel på brensel). I et slikt tilfelle må luftvarmeren gjenopprettes:

••7.1.3.1. GJENOPPRETTING AV BRENNER: Identifiser og fjern årsaken som forårsaket blokkeringen, for å gjenopprette brenneren trykk på reset-knappen på varmeren i minst 10 sekunder (Fig. 6).

••7.1.3.2. GJENOPPRETTING AV SIKKERHETSTERMOSTAT: Identifiser og fjern årsaken til at sikkerhetstermostaten ble utløst, trykk deretter reset-knappen på baksiden av varmeren helt inn (Fig. 7).

••7.1.3.3. GJENOPPRETTING AV TERMOSIKRING: Identifiser og fjern årsaken til at termosikringen ble utløst, trykk deretter på reset-knappen for å frigjøre den (Fig. 8).

8. TILKOBLING AV ROMTERMOSTAT

For tilkobling av romtermostaten, fjern pluggen til kontakten og koble til romtermostaten (Tilvalg) (Fig. 9).

9. LAGRING OG TRANSPORT

Før håndtering må varmeren være avslått ved å følge riktig prosedyre og frakoblet fra den elektriske strømforsyningen. Vent til luftvarmeren er kald nok.

Før håndtering vær sikker på at støtten som brukes til flytting av luftvarmeren tåler vekten (vekten er angitt i apparatets tekniske spesifikasjoner). Forsøk ikke å løfte eller flytte luftvarmeren uten hjelp av egnet utstyr (denne operasjonen må gjøres svært forsiktig slik at fare for personer og skade på luftvarmeren unngås).

10. VEDLIKEHOLD

VIKTIG: Før vedlikehold eller reparasjon utføres, koble fra strømkabelen, og påse at varmeren er kald.

For å bevare varmeren best mulig, slik at feil og mangler unngås, er det anbefalt å foreta et regelmessig vedlikehold.

▶▶ 10.1. RENGJØRING AV FORBRENNINGSKAMMER:

VIKTIG: Dette vedlikeholdet kan gjøres ved å ta kontakt med et autorisert servicesenter.

Det er anbefalt å rengjøre forbrenningskammeret og sirkuleringen av røyken minst en gang i året og/eller etter behov, for å unngå trekkproblemer på skorsteinen og brenselet. Rengjøring av forbrenningskammeret gjøres via fem inspeksjonsåpninger plassert på fremsiden av luftvarmeren.

For å utføre rengjøring, følg denne sekvens svært nøye (ta vare på skruer og skiver):

- 10.1.1. Fjern kjeglen til luftkanalen ved å løsne skruene som fester den til varmeren (Fig. 10).
- 10.1.2. Fjern platene som lukker inspeksjonsåpningene ved å løsne skruene (Fig. 11).
- 10.1.3. Fjern de installerte pakningene og ikke bruk om igjen. Bruk bare nye og originale pakninger (Fig. 12).
- 10.1.4. Sprut vann med høyt trykk på innsiden av kammeret via inspeksjonsåpningene (Fig. 13). Når vask utføres, vipp lansen i ulike stillinger slik vannet når frem i alle sprekkene i forbrenningskammeret .
- 10.1.5. Løft forbrenningskammeret i den bakre delen, slik at mest mulig vann inne i kammeret fjernes (denne prosedyren skal gjøres forsiktig, for å unngå fare for personer og skader på luftvarmeren) (Fig. 14).
- 10.1.6. Monter luftvarmeren igjen ved å følge denne prosedyren i motsatt rekkefølge, og skift ut pakningene utelukkende med originale reservedeler.

MERK: FØR DU SLÅR LUFTVARMEREN PÅ IGJEN, PÅSE AT DU HAR FJERNET MEST MULIG VANN FRA INNSIDEN AV FORBRENNINGSKAMMERET FOR Å UNNGÅ SKADER.

►► 10.2. RENGJØRING AV VIFTE:

For ordinær rengjøring av viften kan du bruke trykkluft, ved å blåse gjennom det bakre gitteret.

►► 10.3. RENGJØRING AV BRENNER:

VIKTIG: Dette vedlikeholdet kan gjøres ved å ta kontakt med et autorisert servicesenter.

Når det gjelder rengjøring av brenneren, les egen bruksanvisning.

11. PROGRAM FOR FOREBYGGENDE VEDLIKEHOLD

ADVARSEL: FØR VEDLIKEHOLD ELLER REPARASJON UTFØRES, KOBLE FRA STRØMKABELEN, OG PÅSE AT LUFTVARMEREN ER KALD.

KOMPONENT	HYPPIGHET FOR VEDLIKEHOLD	PROSEDYRE FOR VEDLIKEHOLD
Sikkerhetstermostat	Årlig kontroll og/eller etter behov	Kontakt autorisert servicesenter
Dyse	Årlig utskiftning og/eller etter behov	Kontakt autorisert servicesenter
Elektrisk anlegg	Årlig kontroll og/eller etter behov	Kontakt autorisert servicesenter
Vifte	Årlig rengjøring og/eller etter behov	Kontakt autorisert servicesenter
Motor	Årlig kontroll og/eller etter behov	Kontakt autorisert servicesenter
Brenselpumpe	Årlig kontroll og/eller etter behov	Kontakt autorisert servicesenter
Forbrenningskammer	Årlig kontroll og/eller etter behov	Kontakt autorisert servicesenter

12. IDENTIFISERE PROBLEMET

PROBLEM	MULIG ÅRSAK	MULIG TILTAK
Luftvarmeren starter ikke eller slår seg av	<ol style="list-style-type: none">1. Mangel på strøm2. Brutt strømkabel3. Elektronikken må tilbakestilles eller er defekt4. Feil innstilling av romtermostat (hvis tilgjengelig)5. Mangel på brensel6. Det finnes fremmede stoffer i drivstoffkretsen	<ol style="list-style-type: none">1a. Kontroller at det finnes elektrisk strømforsyning1b. Kontroller at luftvarmeren er koblet til riktig elektrisk strømforsyning1c. Kontakt autorisert servicesenter2. Kontakt autorisert servicesenter3a. Tilbakestill luftvarmeren3b. Kontakt autorisert servicesenter4. Juster på romtermostaten, ved å stille inn en høyere temperatur enn arbeidsmiljøet5. Fyll på med drivstoff og tilbakestill eventuelt luftvarmeren6. Kontakt autorisert servicesenter
Luftvarmeren danner røyk under drift	<ol style="list-style-type: none">1. Det finnes fremmede stoffer i drivstoffkretsen2. Tilstopping av luftinntak	<ol style="list-style-type: none">1. Kontakt autorisert servicesenter2. Fjern alle tilstoppinger fra det bakre gitteret
Luftvarmeren slår seg ikke av	<ol style="list-style-type: none">1. Defekt elektronikk	<ol style="list-style-type: none">1. Kontakt autorisert servicesenter

WAŻNE: PRZED WYKONANIEM MONTAŻU, URUCHOMIENIA LUB KONSERWACJI NAGRZEWNICY NALEŻY UWAŻNIE PRZECZYTAĆ NINIEJSZĄ INSTRUKCJĘ. BŁĘDNE UŻYCIĘ NAGRZEWNICY MOŻE SPOWODOWAĆ POWAŻNE LUB ŚMIERTELNE OBRAŻENIA. ZACHOWAĆ NINIEJSZĄ INSTRUKCJĘ NA PRZYSZŁOŚĆ.

1. OPIS


(Rys. 1) Przedmiotowa nagrzewnica wyposażona została w odpowiedni palnik, komorę spalania z odprowadzeniem spalin na zewnątrz oraz wysokowydajny wentylator cyrkulacji ciepłego powietrza. Powietrze ogrzewane jest energią ciepłą, wytwarzaną w procesie spalania, która przekazywana jest w wyniku wymiany ciepła pomiędzy powierzchniami metalowymi komory spalania a układem obiegu spalin.

Przebiegi powietrza wentylacji i spalin są od siebie oddzielone metalowymi powierzchniami, połączonymi spawami i zabezpieczonymi uszczelkami. Produkty spalania przekazywane są do przewodu odprowadzającego. Powinien on zostać podłączony do komina lub kanału dymowego o wymiarach zapewniających odprowadzenie spalin. Powietrze spalania, potrzebne do spalania paliwa, zasysane jest przez palnik bezpośrednio z otoczenia. Wymiary oraz warunki pracy palnika powinny zapewniać prawidłową wymianę powietrza.

2. INFORMACJE DOTYCZĄCE

BEZPIECZEŃSTWA

OSTRZEŻENIA

 **WAŻNE:** Niniejsze urządzenie nie jest przystosowane do używania przez osoby (włączając w to dzieci) o ograniczonych zdolnościach fizycznych, czuciowych lub umysłowych lub przez osoby niedoświadczone, chyba że pod nadzorem osoby odpowiedzialnej za ich bezpieczeństwo. Dzieci powinny pozostawać pod nadzorem, aby mieć pewność, że nie bawią się urządzeniem.

 **NIEBEZPIECZEŃSTWO:** Wdychanie tlenku węgla może mieć bardzo poważne skutki.

Pierwsze objawy zatrucia tlenkiem węgla mogą być podobne do objawów

przeziębienia, z bólem i zawrotami głowy i/ lub nudnościami. Takie objawy mogą być spowodowane nieprawidłowym działaniem nagrzewnicy. **WPRZYPADKU WYSTĄPIENIA TEGO RODZAJU OBJAWÓW WYJŚĆ NATYCHMIAST NA ZEWNĄTRZ.** Zlecić naprawę nagrzewnicy autoryzowanemu punktowi serwisowemu.

►► 2.1. UZUPEŁNIANIE PALIWA:

•••2.1.1. Personel upoważniony do uzupełniania paliwa powinien być zaznajomiony z instrukcjami producenta oraz z przepisami obowiązującymi w zakresie bezpiecznego uzupełniania paliwa w nagrzewnicach.

•••2.1.2. Stosować wyłącznie rodzaj paliwa podany na etykiecie z danymi technicznymi, umieszczonej na nagrzewnicy.

•••2.1.3. Cysterny do magazynowania paliwa powinny zostać umieszczone w osobnej strukturze.

•••2.1.4. Wszystkie zbiorniki paliwa powinny znajdować się w bezpiecznej odległości od nagrzewnicy, zgodnie z obowiązującymi przepisami.

•••2.1.5. Paliwo należy przechowywać w pomieszczeniach, w których podłoga zabezpiecza przed jego wnikaniem i skapywaniem na znajdujące się niżej płomienie, co mogłoby spowodować zapalenie.

•••2.1.6. Paliwo należy przechowywać zgodnie z obowiązującymi przepisami.

►► 2.2. BEZPIECZEŃSTWO:

•••2.2.1. Sprawdzić dostępność środków gaśniczych oraz ich dopasowanie do charakterystyki nagrzewnicy.

•••2.2.2. Nie używać nagrzewnicy w pomieszczeniach, w których znajduje się benzyna, rozpuszczalniki do lakierów lub inne łatwopalne opary.

•••2.2.3. Podczas użytkowania nagrzewnicy stosować się do przepisów miejscowych oraz obowiązujących przepisów ogólnych.

- 2.2.4. Nagrzewnice używane w pobliżu plandek, brezentów lub innych podobnych materiałów pokryciowych powinny być używane w bezpiecznej od nich odległości. Zaleca się używanie niepalnych materiałów pokryciowych.
- 2.2.5. Używać wyłącznie w dobrze wentylowanych pomieszczeniach. Przygotować odpowiednie urządzenia do pobierania świeżego powietrza z zewnątrz, zgodnie z obowiązującymi przepisami.
- 2.2.6. Nagrzewnice zasilать wyłącznie prądem o wartości napięcia i częstotliwości podanej na etykiecie z danymi technicznymi, umieszczonej na nagrzewnicy.
- 2.2.7. Sprawdzić poprawność uziemienia.
- 2.2.8. Używać wyłącznie przedłużaczy z przewodem masy.
- 2.2.9. Linia elektryczna zasilania nagrzewnicy powinna posiadać uziemienie, różnicowoprądowy wyłącznik magnetotermiczny oraz rozłącznik.
- 2.2.10. Minimalne bezpieczne odległości pomiędzy nagrzewnicą a substancjami palnymi: wyjście przednie = 2,5 m (8,5 ft.); bocznie, w górę i do tyłu = 1,5 m (5 ft.).
- 2.2.11. Rozgrzaną lub pracującą nagrzewnicę ustawiać na stabilnej i wypoziomowanej powierzchni, aby uniknąć zagrożenia pożarem.
- 2.2.12. Zwierzęta utrzymywać w bezpiecznej odległości od nagrzewnicy.
- 2.2.13. Gdy nagrzewnica nie jest używana, odłączyć ją od zasilania elektrycznego
- 2.2.14. Gdy nagrzewnica sterowana jest przez termostat, może włączyć się w dowolnym momencie.
- 2.2.15. Nie używać nagrzewnicy w pomieszczeniach stale zamieszkałych.
- 2.2.16. Nie blokować nigdy wlotu (strona tylna) ani wylotu (strona przednia) powietrza nagrzewnicy.
- 2.2.17. Gdy nagrzewnica jest rozgrzana lub podłączona do zasilania elektrycznego, nie należy jej przenosić ani nie należy wykonywać żadnych czynności konserwacji.
- 2.2.18. Nie kanalizować powietrza wlotowego i/lub wylotowego, chyba że przy użyciu oryginalnych zestawów (jeżeli jest to przewidziane).

- 2.2.19. Materiały łatwopalne lub wrażliwe na działanie ciepła (łącznie z kablem zasilania) utrzymywać w odpowiedniej odległości od rozgrzanych części nagrzewnicy.
- 2.2.20. Jeśli kabel zasilania jest uszkodzony, należy zlecić jego wymianę autoryzowanemu punktowi serwisowemu, aby zapobiec jakimkolwiek zagrożeniu.
- 2.2.21. W przypadku wymiany palnika używać oryginalnych części zamiennych. Stosować się rygorystycznie do zaleceń dotyczących natężenia przepływu, rodzaju dysz i ciśnienia pompy. Większa moc palnika może skutkować uszkodzeniem nagrzewnicy.

3. ROZPAKOWYWANIE

OSTRZEŻENIE: Materiał opakowaniowy nie jest zabawką dla dzieci. Worek z tworzywa sztucznego przechowywać z dala od dzieci. Ryzyko uduszenia!

- 3.1. Zdjąć wszystkie materiały opakowaniowe użyte do zapakowania i wysłania produktu. Zutyliczować zgodnie z obowiązującymi przepisami.
- 3.2. Nagrzewnica ustawiona jest na palecie. Podnieść ją delikatnie za pomocą haków i łańcuchów. Do podnoszenia nagrzewnicy używać otworów wykonanych w konstrukcji.
- 3.3. Sprawdzić, czy występują ewentualne uszkodzenia powstałe podczas transportu. W przypadku stwierdzenia uszkodzenia nagrzewnicy poinformować o tym niezwłocznie autoryzowany punkt serwisowy.

4. ZASADA DZIAŁANIA

A. Komora spalania, **B.** Głowica spalania, **C.** Wentylator, **D.** Palnik, **E.** Urządzenie sterujące, **F.** Komin.

(Rys. 2) Pompa palnika zasysa paliwo ze zbiornika i przesyła do dyszy pod ciśnieniem. Paliwo w dyszy zostaje rozpylone i wymieszane w komorze spalania z powietrzem spalania. Iskra powoduje zapłon, a spaliny wyprowadzane są przez komin. Szereg czujników kontroluje nieustannie poprawność działania nagrzewnicy, zatrzymując cykl w przypadku stwierdzenia nieprawidłowości. Zadaniem wentylatora zamontowanego w

tylnej części nagrzewnicy jest chłodzenie komory spalania oraz układu obiegu spalin, z przenoszeniem ciepła pochodzącego z tych elementów do otoczenia.

5. INSTRUKCJA MONTAŻU

UWAGA: Stosować się rygorystycznie do wszystkich zaleceń zawartych w niniejszym punkcie. Montaż powinien zostać wykonany wyłącznie przez wykwalifikowany personel.

►► 5.1. PODŁĄCZENIA ELEKTRYCZNE:

UWAGA: Linia elektryczna zasilania nagrzewnicy powinna posiadać uziemienie, różnicowoprądowy wyłącznik magnetotermiczny oraz rozłącznik.

Wyposażenie seryjne nagrzewnicy obejmuje wszystkie urządzenia sterownicze i zabezpieczające, niezbędne do jej prawidłowego działania. Do nagrzewnicy podłączone są tablica elektryczna, palnik i termostat zabezpieczający z ręcznym przywracaniem działania.

Podczas montażu należy wykonać podłączenie elektryczne do sieci zasilania za pomocą kabli o odpowiednim przekroju, zgodnie z obowiązującymi przepisami krajowymi oraz ze wskazaniem na etykiecie z danymi technicznymi, umieszczonej na nagrzewnicy.

UWAGA: PRZED URUCHOMIENIEM NAGRZEWNICY SPRAWDZIĆ PODŁĄCZENIA ELEKTRYCZNE.

►► 5.2. PODŁĄCZENIE SYSTEMU

KANALIZOWANIA POWIETRZA

WYLOTOWEGO:

DO KANALIZOWANIA UŻYWAĆ WYŁĄCZNIE ORYGINALNYCH ZESTAWÓW.

System kanalizowania powietrza wylotowego może zostać zamontowany za pomocą odpowiedniej opaski mocującej lub zatrzasku.

►► 5.3. PODŁĄCZENIE ODPROWADZENIA SPALIN:

Wydajność cieplna oraz poprawność funkcjonowania zależą bezpośrednio od prawidłowego ciągu w kominie odprowadzania spalin. Nie wykonywać kolanek zwalniających przepływ ani nie zmniejszać średnicy przewodu kominowego odprowadzenia spalin. Gdy

nagrzewnica nie jest podłączona do komina odprowadzenia spalin, należy wyposażyć ją w stalowy przewód odprowadzenia spalin w położeniu możliwie pionowym, o regulowanej sile ciągu, przestrzegając zaleceń podanych w niniejszej instrukcji technicznej.

6. PALIWO

OSTRZEŻENIE: Nagrzewnica pracuje wyłącznie na takie paliwa, jak OLEJ OPAŁOWY lub KEROZYNA.

Używać wyłącznie oleju opałowego lub kerozyny. Aby uniknąć zagrożenia pożarem lub wybuchem, nie używać nigdy benzyny, nafty, rozpuszczalników do lakierów, alkoholu lub innych łatwopalnych paliw.

W przypadku bardzo niskich temperatur używać nietoksycznych dodatków zapobiegających zamarzaniu.

W temperaturze poniżej 5°C (41°F) zaleca się stosowanie zimowego oleju opałowego.

7. DZIAŁANIE

OSTRZEŻENIE: Przed włączeniem nagrzewnicy uważnie przeczytać „INFORMACJE DOTYCZĄCE BEZPIECZEŃSTWA”.

ZIDENTYFIKOWAĆ PANEL STEROWANIA NAGRZEWNICY (Rys. 3).

►► 7.1.1. WŁĄCZANIE:

•••7.1.1.1. Sprawdzić obecność paliwa w obwodzie.

•••7.1.1.2. Podłączyć nagrzewnicę do sieci elektrycznej (włączy się kontrolka wyłącznika, sygnalizując obecność napięcia).

•••7.1.1.3. Wyregulować zasuwę powietrza palnika wg danych z tabeli (Rys. 4).

•••7.1.1.4. Wyłącznik zapłonu ustawić w położenie ON (Rys. 5) (w pierwszej kolejności uruchomiony zostaje palnik, a po upływie ok. minuty wentylator).

UWAGA: PODCZAS DZIAŁANIA KONTROLKA WYŁĄCZNIKA WYŁĄCZA SIĘ. W PRZYPADKU BLOKADY PALNIKA SPOWODOWANEJ USTERKĄ KONTROLKA WYŁĄCZNIKA ZACZYNA MIGAĆ (JEDNO MIGNIĘCIE DŁUGIE, A NASTĘPNIE DWA KRÓTKIE).

UWAGA: NAGRZEWNICA POSIADA CZUJNIK DO CIĄGŁEGO MONITOROWANIA TEMPERATURY POWIETRZA WYLOTOWEGO [ABY ZAPEWNIĆ PRAWIDŁOWE DZIAŁANIE, TEMPERATURA POWIETRZA NA WYJŚCIU POWINNA WYNOŚIĆ PONIŻEJ 95°C (203°F)]. JEŻELI TEMPERATURA POWIETRZA WYLOTOWEGO PRZEKROCZY 95°C (203°F), NAGRZEWNICA WYŁĄCZY PALNIK (KONTROLKA WYŁĄCZNIKA ZACZNIE MIGAĆ). GDY TEMPERATURA POWRÓCI DO WARTOŚCI PONIŻEJ 95°C (203°F), PALNIK PONOWNIE AUTOMATYCZNIE SIĘ WŁĄCZY.

▶▶ 7.1.2. WYŁĄCZANIE:

WAŻNE: Nigdy nie odłączać wtyczki zasilania elektrycznego w celu wyłączenia nagrzewnicy.

WAŻNE: Nigdy nie odłączać wtyczki zasilania elektrycznego dopóki nagrzewnica nie zostanie całkowicie wyłączona.

Wyłącznik zapłonu ustawić w położenie OFF (Rys. 5) i odczekać na całkowite zatrzymanie nagrzewnicy. Gdy temperatura powietrza wylotowego obniży się poniżej wartości 50°C (122°F), wentylator wyłączy się, a kontrolka wyłącznika włączy się, aby zasygnalizować obecność napięcia (stan przestoju).

▶▶ 7.1.3. RESET:

Podczas zwykłej pracy może zdarzyć się, że nagrzewnica zostanie zablokowana (np.: z powodu braku paliwa). W takim przypadku nagrzewnicę należy zresetować:

- 7.1.3.1. RESETOWANIE PALNIKA:
Określić i usunąć przyczynę powodującą blokadę. Aby ponownie uruchomić palnik, nacisnąć i przytrzymać przez co najmniej 10 sekund znajdujący się na palniku przycisk resetowania (Rys. 6)
- 7.1.3.2. RESETOWANIE TERMOSTATU ZABEZPIECZAJĄCEGO: Określić i usunąć przyczynę powodującą zadziałanie termostatu zabezpieczającego. Następnie nacisnąć przycisk przywracania działania, umieszczony w tylnej części nagrzewnicy (Rys. 7).
- 7.1.3.3. RESETOWANIE ROZŁĄCZNIKA TERMICZNEGO: Określić i usunąć przyczynę powodującą zadziałanie rozłącznika

termicznego. Następnie nacisnąć przycisk resetowania, aby odblokować rozłącznik (Rys. 8).

8. PODŁĄCZENIE TERMOSTATU OTOCZENIA

Aby podłączyć termostat otoczenia, zdemontować zatyczkę odpowiedniego gniazda i podłączyć termostat otoczenia (W Opcji) (Rys. 9).

9. PRZECHOWYWANIE I TRANSPORT

Przed jakimkolwiek przestawieniem nagrzewnicy należy ją wyłączyć zgodnie z właściwą procedurą i odłączyć od zasilania elektrycznego. Odczekać na całkowite schłodzenie nagrzewnicy.

Przed jakimkolwiek przestawieniem sprawdzić, czy użyty w tym celu nośnik ma nośność dostosowaną do danej masy (podanej w odpowiedniej dołączonej specyfikacji technicznej urządzenia). Nie dokonywać prób podniesienia lub przesunięcia nagrzewnicy bez pomocy przeznaczonych do tego celu maszyn (czynność tę wykonywać z zachowaniem maksymalnej uwagi, aby uniknąć zagrożeń dla osób i uszkodzenia urządzenia).

10. KONSERWACJA

WAŻNE: Przed wykonaniem jakiegokolwiek czynności konserwacji lub naprawy, odłączyć kabel zasilania elektrycznego i upewnić się, że nagrzewnica nie jest rozgrzana.

Aby zachować dobry stan nagrzewnicy oraz uniknąć usterek i uszkodzeń, zaleca się wykonywać regularnie czynności konserwacji.

▶▶ 10.1. CZYSZCZENIE KOMORY SPALANIA:

WAŻNE: Przedmiotowa konserwacja powinna zostać wykonana przez autoryzowany punkt serwisowy.

Komorę spalania oraz układ obiegu spalin należy czyścić co najmniej jeden raz w roku

i/lub w zależności od potrzeb. Pozwoli to zapobiec problemom z ciągiem w kominie i ze spalaniem. Komorę spalania czyści się poprzez pięć szczelin inspekcyjnych, znajdujących się w przedniej części nagrzewnicy.

Podczas czyszczenia stosować się rygorystycznie do następującej kolejności (zachowując wszystkie śruby i podkładki):

- 10.1.1. Zdemontować stożek kanalizacji powietrza, odkręcając śruby mocujące go do nagrzewnicy (Rys. 10).
- 10.1.2. Zdemontować płyty zamykające szczeliny inspekcyjne, odkręcając śruby (Rys. 11).
- 10.1.3. Zdemontować zamontowane uszczelki. Nie używać ich ponownie. Używać wyłącznie nowych i oryginalnych uszczelek (Rys. 12).
- 10.1.4. Rozpylić wodę pod wysokim ciśnieniem wewnątrz komory poprzez szczeliny inspekcyjne (Rys. 13). Podczas mycia końcówkę rozpylającą kierować w różne strony, aby zapewnić wprowadzenie wody we wszystkie otwory komory spalania.
- 10.1.5. Podnieść komorę spalania w części tylnej, aby usunąć możliwie największą ilość wody z jej wnętrza (czynność tę wykonywać z zachowaniem najwyższej

uwagi, aby uniknąć zagrożenia wobec osób i uszkodzenia nagrzewnicy) (Rys. 14).

- 10.1.6. Zmontować ponownie nagrzewnicę, wykonując opisane czynności w odwrotnej kolejności. Uszczelki wymieniać wyłącznie na oryginalne części zamienne.

UWAGA: PRZED PONOWNYM WŁĄCZENIEM NAGRZEWNICY SPRAWDZIĆ, CZY ZOSTAŁA USUNIĘTA MOŻLIWIE NAJWIĘKSZA ILOŚĆ WODY Z WNĘTRZA KOMORY SPALANIA, ABY UNIKNĄĆ POWAŻNYCH JEJ USZKODZEŃ.

▶▶ 10.2. CZYSZCZENIE WENTYLATORA:

Wentylator czyścić za pomocą sprężonego powietrza, nadmuchując powietrze poprzez tylną kratę.

▶▶ 10.3. CZYSZCZENIE PALNIKA:

WAŻNE: Przedmiotowa konserwacja powinna zostać wykonana przez autoryzowany punkt serwisowy.

W przypadku czyszczenia palnika zapoznać się ze zrozumieniem z odpowiednią instrukcją.

pl

11. HARMONOGRAM KONSERWACJI PREWENCYJNEJ

OSTRZEŻENIE: PRZED WYKONANIEM JAKIEJKOLWIEK KONSERWACJI LUB NAPRAWY, ODŁĄCZYĆ KABEL ZASILANIA ELEKTRYCZNEGO I UPEWNIĆ SIĘ, ŻE NAGRZEWNICA NIE JEST ROZGRZANA.

KOMPONENT	CZĘSTOTLIWOŚĆ KONSERWACJI	PROCEDURA KONSERWACJI
Termostat zabezpieczający	Kontrola raz w roku i/lub w zależności od potrzeb	Zwrócić się do autoryzowanego punktu serwisowego
Dysza	Wymiana raz w roku i/lub w zależności od potrzeb	Zwrócić się do autoryzowanego punktu serwisowego
Instalacja elektryczna	Kontrola raz w roku i/lub w zależności od potrzeb	Zwrócić się do autoryzowanego punktu serwisowego
Wentylator	Czyszczenie raz w roku i/lub w zależności od potrzeb	Zwrócić się do autoryzowanego punktu serwisowego
Silnik	Kontrola raz w roku i/lub w zależności od potrzeb	Zwrócić się do autoryzowanego punktu serwisowego
Pompa paliwa	Kontrola raz w roku i/lub w zależności od potrzeb	Zwrócić się do autoryzowanego punktu serwisowego
Komora spalania	Kontrola raz w roku i/lub w zależności od potrzeb	Zwrócić się do autoryzowanego punktu serwisowego

12. OKREŚLANIE PROBLEMÓW

PROBLEM	MOŻLIWA PRZYCZYNA	PROPONOWANE ROZWIĄZANIE
Nagrzewnica nie uruchamia się lub wyłącza się	<ol style="list-style-type: none">1. Brak zasilania2. Uszkodzony kabel zasilania3. Komponenty elektroniczne wymagają zresetowania lub są uszkodzone4. Błędne ustawienia termostatu otoczenia (o ile jest przewidziany)5. Brak paliwa6. Obecność substancji obcych w obwodzie spalania	<ol style="list-style-type: none">1a. Sprawdzić obecność zasilania elektrycznego1b. Sprawdzić, czy nagrzewnica podłączona jest do prawidłowego zasilania elektrycznego1c. Zwrócić się do autoryzowanego punktu serwisowego2. Zwrócić się do autoryzowanego punktu serwisowego3a. Zresetować nagrzewnicę3b. Zwrócić się do autoryzowanego punktu serwisowego4. Posłużyć się termostatem otoczenia, ustawiając temperaturę wyższą, niż temperatura otoczenia roboczego.5. Uzpełnić paliwo i ewentualnie zresetować nagrzewnicę6. Zwrócić się do autoryzowanego punktu serwisowego
Nagrzewnica wydziela dym podczas pracy	<ol style="list-style-type: none">1. Obecność substancji obcych w obwodzie spalania2. Zatkanie czerpni powietrza wlotowego	<ol style="list-style-type: none">1. Zwrócić się do autoryzowanego punktu serwisowego2. Usunąć wszelkie elementy zatykające tylną kratę
Nagrzewnica nie wyłącza się	<ol style="list-style-type: none">1. Uszkodzone komponenty elektroniczne	<ol style="list-style-type: none">1. Zwrócić się do autoryzowanego punktu serwisowego

ВАЖНО! ПЕРЕД МОНТАЖОМ, ВВОДОМ В ЭКСПЛУАТАЦИЮ ИЛИ ТЕХОБСЛУЖИВАНИЕМ НАСТОЯЩЕГО НАГРЕВАТЕЛЯ НЕОБХОДИМО ВНИМАТЕЛЬНО ПРОЧЕСТЬ И ПОНЯТЬ СОДЕРЖАНИЕ ДАННОГО РУКОВОДСТВА. НЕПРАВИЛЬНАЯ ЭКСПЛУАТАЦИЯ НАГРЕВАТЕЛЯ МОЖЕТ ПРИВЕСТИ К СЕРЬЕЗНЫМ ТЕЛЕСНЫМ ПОВРЕЖДЕНИЯМ, В ТОМ ЧИСЛЕ И СО СМЕРТЕЛЬНЫМ ИСХОДОМ. СОХРАНИТЕ ДАННОЕ РУКОВОДСТВО ДЛЯ ИСПОЛЬЗОВАНИЯ В БУДУЩЕМ.


1. ОПИСАНИЕ


(Рис. 1) Настоящий нагреватель оснащен специальной горелкой, камерой сгорания с выводом дымов наружу и высокоэффективным вентилятором для горячего воздуха. Воздух нагревается благодаря тепловой энергии, образующейся в результате процесса сгорания; посредством теплообмена она передается на металлическую поверхность камеры сгорания и систему дымооборотов.

Пути воздуха для вентиляции и вывода дымов разделены металлическими поверхностями со сварными соединениями и уплотнителями. Продукты сгорания отводятся по трубе, которая должна быть подсоединена к дымоходу или дымовой трубе, размеры которых гарантируют вывод дымов. Поддерживающий горение воздух, то есть, воздух, необходимый для процесса сгорания, всасывается непосредственно горелкой, которая забирает его из помещения; размеры последнего и рабочие условия должны гарантировать подходящую вентиляцию.

2. ТЕХНИКА БЕЗОПАСНОСТИ

ПРЕДУПРЕЖДЕНИЯ

 **ВАЖНО:** Настоящий прибор не пригоден для эксплуатации людьми (включая детей) с ограниченными физическими, сенсорными и умственными возможностями, а также неопытными людьми, за исключением случаев, когда они находятся под наблюдением ответственного за их безопасность лица. Дети должны быть под присмотром и не играть с прибором.

 **ОПАСНОСТЬ:** Отравление угарным газом может привести к смертельному исходу.

Первые симптомы удушья в результате вдыхания угарного газа схожи с симптомами гриппа, среди них головная боль, головокружение и/или тошнота. Эти симптомы могут быть вызваны неисправностью нагревателя. **ПРИ ВОЗНИКНОВЕНИИ ТАКИХ СИМПТОМОВ НЕОБХОДИМО НЕЗАМЕДЛИТЕЛЬНО ВЫЙТИ НА ОТКРЫТЫЙ ВОЗДУХ** и поручить ремонт нагревателя уполномоченному центру технической поддержки.

▶▶ 2.1. ЗАПРАВКА:

- 2.1.1. Персонал, которому поручена заправка, должен иметь соответствующую квалификацию и досконально знать инструкции изготовителя, а также действующие нормы в области безопасной заправки нагревателей.
- 2.1.2. Можно использовать только тип топлива, указанный на этикетке технических данных на нагревателе.
- 2.1.3. Цистерны с топливом должны находиться в отдельном помещении.
- 2.1.4. Все баки с топливом должны находиться на минимальном безопасном расстоянии от нагревателя, согласно действующим нормам.
- 2.1.5. Топливо следует хранить в помещениях, в которых пол не впитывает топливо и не позволяет ему капать на находящиеся ниже источники огня, которые могут привести к возгоранию.
- 2.1.6. Топливо следует хранить с соблюдением действующих норм.

▶▶ 2.2. ТЕХНИКА БЕЗОПАСНОСТИ:

- 2.2.1. Убедиться, что противопожарные средства имеются в наличии и подходят для мощности нагревателя.
- 2.2.2. Никогда не использовать нагреватель в помещениях, в которых имеется бензин, растворители для лакокрасочных материалов или другие легковоспламеняющиеся пары.
- 2.2.3. При использовании нагревателя необходимо придерживаться всех

- местных положений и действующих норм.
- 2.2.4. При использовании рядом с тентом, брезентом или другим схожим полотном нагреватели следует устанавливать на безопасном расстоянии от них. Рекомендуются также использовать огнестойкие полотна.
 - 2.2.5. Использовать только в хорошо вентилируемых зонах. Обеспечить наличие подходящего отверстия согласно действующим нормам для подачи свежего воздуха снаружи.
 - 2.2.6. Нагреватель должен питаться только от сети, напряжение и частота тока которой соответствуют указанным на этикетке технических данных, установленной на нагревателе.
 - 2.2.7. Проверить правильность заземления.
 - 2.2.8. Использовать удлинители только с кабелем заземления.
 - 2.2.9. Линия электропитания нагревателя должна быть оснащена устройством заземления, дифференциальным термомангнитным выключателем и разъединителем.
 - 2.2.10. Минимальное рекомендуемое безопасное расстояние между нагревателем и воспламеняющимися веществами: передний выход = 2,5 м (8.5 футов); сбоку, сверху и сзади = 1,5 м (5 футов).
 - 2.2.11. Устанавливать горячий или работающий нагреватель на устойчивой ровной поверхности во избежание опасности пожара.
 - 2.2.12. Держать зверей на безопасном расстоянии от нагревателя.
 - 2.2.13. Отсоединить нагреватель от сети электропитания, когда он не используется.
 - 2.2.14. Если нагреватель управляется термостатом, он может включиться в любой момент.
 - 2.2.15. Никогда не использовать нагреватель в помещениях, часто используемых в качестве жилья.
 - 2.2.16. Никогда не блокировать воздухозаборник (с задней стороны) или выход воздуха (с передней стороны) нагревателя.
 - 2.2.17. Когда нагреватель горячий, подключен к сети электропитания или работает, с ним нельзя выполнять никакие действия и никакие работы по техобслуживанию.
 - 2.2.18. Нельзя направлять входящий и/или выходящий воздух в каналы, за исключением использования оригинальных комплектов (если предусмотрено).
 - 2.2.19. Соблюдать подходящее расстояние между воспламеняющимися или термопластичными материалами (включая силовую кабель) и горячими частями нагревателя.
 - 2.2.20. Если кабель питания поврежден, необходимо обратиться в уполномоченный центр технической поддержки для его замены в целях предотвращения любой опасности.
 - 2.2.21. Если необходимо заменить горелку, следует использовать оригинальные запчасти, строго соблюдая параметры мощности, тип форсунок и давление насоса. Увеличение мощности горелки может повредить нагреватель.

3. СНЯТИЕ УПАКОВКИ

ПРЕДУПРЕЖДЕНИЕ: Упаковочный материал - это не игрушка. Хранить пластмассовый пакет в недоступном для детей месте; опасность удушья!

- 3.1. Снять все упаковочные материалы, использованные для упаковки и отправки нагревателя. Утилизировать их согласно действующим нормам.
- 3.2. Нагреватель установлен на платформе, следует аккуратно поднять его, пользуясь крюками и цепями. Для подъема нагревателя использовать имеющиеся на конструкции отверстия.
- 3.3. Проверить, не были ли нанесены повреждения во время транспортировки. При обнаружении повреждений незамедлительно сообщить об этом в уполномоченный центр технической поддержки.

4. ПРИНЦИП ДЕЙСТВИЯ

А. Камера сгорания, **В.** Головка сгорания, **С.** Вентилятор, **Д.** Горелка, **Е.** Приборы управления, **Ф.** Дымоход.

(Рис. 2) Насос горелки всасывает топливо из бака и подает его на форсунку под давлением, где оно распыляется и смешивается с воздухом, необходимым для поддержания горения, в камере сгорания. Искра зажигает

топливно-воздушную смесь, а дымы выходят через дымоход. Ряд датчиков постоянно отслеживает правильность функционирования нагревателя, останавливая рабочий цикл в случае обнаружения сбоев в работе. Вентилятор, расположенный в задней части нагревателя, служит для охлаждения камеры сгорания и системы дымооборотов с передачей тепла в помещение.

5. ИНСТРУКЦИИ ПО УСТАНОВКЕ

ВНИМАНИЕ: Необходимо строго придерживаться указаний, приведенный в настоящем параграфе. Установку должен выполнять только квалифицированный персонал.

►► 5.1. ЭЛЕКТРИЧЕСКИЕ ПОДКЛЮЧЕНИЯ:

ВНИМАНИЕ: Линия электропитания нагревателя должна быть оснащена устройством заземления, дифференциальным термоманитным выключателем и разъединителем.

В серийное оснащение нагревателя входят все устройства управления и безопасности, необходимые для его правильного функционирования: электрощит, горелка, предохранительный термостат с ручным сбросом уже подсоединены.

При установке необходимо выполнить подключение к сети электропитания с использованием кабелей подходящего сечения в соответствии с предписаниями государственных действующих норм и техническими данными, приведенными на этикетке на нагревателе.

ПРИМЕЧАНИЕ. ПЕРЕД ЗАПУСКОМ НАГРЕВАТЕЛЯ РЕКОМЕНДУЕТСЯ ПРОВЕРИТЬ ЭЛЕКТРИЧЕСКИЕ СОЕДИНЕНИЯ.

►► 5.2. УСТАНОВКА КАНАЛОВ ДЛЯ ВЫХОДЯЩЕГО ВОЗДУХА:

ДЛЯ УСТАНОВКИ КАНАЛОВ ИСПОЛЬЗОВАТЬ ТОЛЬКО ОРИГИНАЛЬНЫЕ КОМПЛЕКТЫ.

Установка каналов для направления выходящего воздуха может быть выполнена с помощью специального хомута или специального быстроръемного устройства.

►► 5.3. ПОДСОЕДИНЕНИЕ К ДЫМОХОДУ:

Тепловая эффективность и правильное функционирование напрямую связаны с правильной тягой дымохода.

Рекомендуется не создавать потенциально закупоривающиеся углы и не устанавливать переходники, уменьшающие сечение дымохода. Нагреватель должен быть оснащен преимущественно вертикальным стальным дымоходом и регулятором тяги, если он не подсоединен к наружному дымоходу, соблюдая указания, приведенные в настоящем техническом руководстве.

6. ТОПЛИВО

ПРЕДУПРЕЖДЕНИЕ: Нагреватель работает только на **ДИЗЕЛЬНОМ ТОПЛИВЕ** или на **КЕРОСИНЕ**.

Использовать только дизтопливо или керосин. Во избежание опасности пожара или взрыва нельзя использовать бензин, мазут, растворители для лакокрасочных материалов, спирт или другие легковоспламеняющиеся виды топлива.

Использовать нетоксичные антифризные добавки при эксплуатации при очень низкой температуре.

Рекомендуется использовать зимнее дизтопливо при температуре менее 5°C (41°F).

7. ФУНКЦИОНИРОВАНИЕ

ПРЕДУПРЕЖДЕНИЕ: Перед тем, как включать нагреватель необходимо внимательно прочесть параграф «ТЕХНИКА БЕЗОПАСНОСТИ».

ИДЕНТИФИКАЦИЯ ПАНЕЛИ УПРАВЛЕНИЯ НАГРЕВАТЕЛЯ (Рис. 3).

►► 7.1.1. ВКЛЮЧЕНИЕ:

•••7.1.1.1. Проверить наличие топлива в контуре.

•••7.1.1.2. Подключить нагреватель к сети электропитания (включается световой индикатор выключателя, свидетельствуя о наличии напряжения).

•••7.1.1.3. Отрегулировать воздушную заслонку горелки согласно данным в таблице (Рис. 4).

•••7.1.1.4. Перевести выключатель на ВКЛ (Рис. 5) (сначала запускается горелка, а затем приблизительно через одну минуту начинает работать вентилятор).

ПРИМЕЧАНИЕ. ВО ВРЕМЯ РАБОТЫ ВЫКЛЮЧАЕТСЯ СВЕТОВОЙ ИНДИКАТОР ВЫКЛЮЧАТЕЛЯ. В СЛУЧАЕ

БЛОКИРОВКИ ГОРЕЛКИ ИЗ-ЗА КАКОЙ-ЛИБО НЕИСПРАВНОСТИ, СВЕТОВОЙ ИНДИКАТОР ВЫКЛЮЧАТЕЛЯ НАЧИНАЕТ МИГАТЬ (ДОЛГИЙ МИГАЮЩИЙ СИГНАЛ, ЗА КОТОРЫМ СЛЕДУЮТ ДВА КОРОТКИХ).

ПРИМЕЧАНИЕ. НАГРЕВАТЕЛЬ ОСНАЩЕН ДАТЧИКОМ, КОТОРЫЙ ПОСТОЯННО ОТСЛЕЖИВАЕТ ТЕМПЕРАТУРУ ВЫХОДЯЩЕГО ВОЗДУХА [ДЛЯ НОРМАЛЬНОГО ФУНКЦИОНИРОВАНИЯ ТЕМПЕРАТУРА ВЫХОДЯЩЕГО ВОЗДУХА НЕ ДОЛЖНА ПРЕВЫШАТЬ 95°C (203°F)]. ЕСЛИ ТЕМПЕРАТУРА ВЫХОДЯЩЕГО ВОЗДУХА ПРЕВЫШАЕТ 95°C (203°F), ТО НАГРЕВАТЕЛЬ ВЫКЛЮЧАЕТ ГОРЕЛКУ (СВЕТОВОЙ ИНДИКАТОР ВЫКЛЮЧАТЕЛЯ НАЧИНАЕТ МИГАТЬ). КОГДА ТЕМПЕРАТУРА ОПУСКАЕТСЯ НИЖЕ 95°C (203°F), ГОРЕЛКА ВКЛЮЧАЕТСЯ АВТОМАТИЧЕСКИ.

►► 7.1.2. ВЫКЛЮЧЕНИЕ:

ВАЖНО: Никогда не вынимать вилку из розетки для выключения нагревателя.

ВАЖНО: Никогда нельзя доставать вилку из розетки, прежде чем нагреватель не будет полностью выключен.

Перевести выключатель на ВЫКЛ (Рис. 5) и дождаться полной остановки нагревателя. Когда температура выходящего воздуха опустится ниже 50°C (122°F), вентилятор выключится, а световой индикатор выключателя включится, свидетельствуя о наличии напряжения (состояние покоя).

►► 7.1.3. ВОССТАНОВЛЕНИЕ РАБОЧЕГО СОСТОЯНИЯ:

При обычной работе возможна блокировка нагревателя (например, из-за отсутствия топлива), в этом случае необходимо восстановить рабочее состояние нагревателя:

•••7.1.3.1. ВОССТАНОВЛЕНИЕ РАБОЧЕГО СОСТОЯНИЯ ГОРЕЛКИ: Необходимо определить и устранить причину блокировки, чтобы активировать горелку, следует нажать и удерживать не менее десяти секунд кнопку сброса, установленную на горелке (Рис. 6).

•••7.1.3.2. ВОССТАНОВЛЕНИЕ РАБОТЫ ПРЕДОХРАНИТЕЛЬНОГО ТЕРМОСТАТА: Необходимо определить и устранить причину срабатывания предохранительного термостата, затем нажать до конца кнопку сброса, расположенную с задней стороны нагревателя (Рис. 7).

•••7.1.3.3. ВОССТАНОВЛЕНИЕ РАБОТЫ ТЕПЛООВОГО РАЗЪЕДИНИТЕЛЯ: Необходимо определить и устранить причину срабатывания теплового разъединителя, затем нажать кнопку сброса для его разблокировки (Рис. 8).

8. ПОДКЛЮЧЕНИЕ КОМНАТНОГО ТЕРМОСТАТА

Для подключения комнатного термостата необходимо снять крышку специального разъема и подключить комнатный термостат (Факультативно) (Рис. 9).

9. ХРАНЕНИЕ И ТРАНСПОРТИРОВКА

Перед любым перемещением необходимо выключить нагреватель, следуя указанной процедуре, и отсоединить его от сети электропитания. Дождаться достаточного охлаждения нагревателя.

Перед любым перемещением необходимо убедиться, что опора, используемая для перемещения нагревателя, выдерживает его вес (вес указан в технических характеристиках прибора). Нельзя пытаться поднимать или перемещать нагреватель без использования подходящих средств (эту операцию следует выполнять с максимальной осторожностью во избежание любой опасности для людей или повреждения нагревателя).

10. ТЕХОБСЛУЖИВАНИЕ

ВАЖНО: Перед началом любых работ по техобслуживанию или ремонту, необходимо отсоединить кабель электропитания и убедиться, что нагреватель остыл.

Для наилучшей сохранности нагревателя, в целях предотвращения возможных неисправностей или неполадок, рекомендуется регулярно выполнять периодическое техобслуживание.

►► 10.1. ОЧИСТКА КАМЕРЫ СГОРАНИЯ:

ВАЖНО: Эту операцию техобслуживания может выполнять уполномоченный центр технической поддержки.

Рекомендуется очищать камеру сгорания и систему дымооборотов не реже одного раза

в год и/или по необходимости во избежание возникновения проблем с тягой дымохода и процессом сгорания. Очистка камеры сгорания осуществляется через пять инспекционных отверстий, расположенных с передней части нагревателя.

Для выполнения очистки, необходимо строго придерживаться следующей последовательности действий (аккуратно складывать винты и шайбы):

- 10.1.1. Извлечь конус для направления воздуха, отвинтив винты, которыми он крепится к нагревателю (Рис. 10).
- 10.1.2. Снять пластины, которыми закрываются инспекционные отверстия, отвинтив винты (Рис. 11).
- 10.1.3. Снять установленные уплотнители и не использовать их повторно. Использовать только новые оригинальные уплотнители (Рис. 12).
- 10.1.4. Через инспекционные отверстия разбрызгать воду под высоким давлением внутри камеры (Рис. 13). В момент промывки наклонять насадку в разные стороны, чтобы вода попала во все щели камеры сгорания.
- 10.1.5. Приподнять камеру сгорания с задней стороны, чтобы слить как можно больше воды из камеры (эту операцию следует выполнять максимально осторожно

во избежание любой опасности для людей и повреждения нагревателя) (Рис. 14).

- 10.1.6. Собрать нагреватель, выполнив в обратном порядке эту последовательность действий, заменив уплотнители только на оригинальные запчасти.

ПРИМЕЧАНИЕ. ПЕРЕД ПОВТОРНЫМ ВКЛЮЧЕНИЕМ НАГРЕВАТЕЛЯ НЕОБХОДИМО УБЕДИТЬСЯ, ЧТО ИЗ КАМЕРЫ СГОРАНИЯ СЛИТО КАК МОЖНО БОЛЬШЕ ВОДЫ, ВО ИЗБЕЖАНИЕ НАНЕСЕНИЯ СЕРЬЕЗНОГО УЩЕРБА.

▶▶ 10.2. ОЧИСТКА ВЕНТИЛЯТОРА:

Для обычной очистки вентилятора можно использовать сжатый воздух, вдувая его через заднюю решетку.

▶▶ 10.3. ОЧИСТКА ГОРЕЛКИ:

ВАЖНО: Эту операцию техобслуживания может выполнять уполномоченный центр технической поддержки.

Описание очистки горелки приведено в специальном руководстве.

11. ПЛАН ПРОФИЛАКТИЧЕСКОГО ТЕХОБСЛУЖИВАНИЯ

ПРЕДУПРЕЖДЕНИЕ. ПЕРЕД НАЧАЛОМ ЛЮБЫХ РАБОТ ПО ТЕХОБСЛУЖИВАНИЮ ИЛИ РЕМОНТУ, НЕОБХОДИМО ОТСОЕДИНИТЬ КАБЕЛЬ ЭЛЕКТРОПИТАНИЯ И УБЕДИТЬСЯ, ЧТО НАГРЕВАТЕЛЬ ОСТЫЛ.

КОМПОНЕНТ	ЧАСТОТА ТЕХОБСЛУЖИВАНИЯ	ПРОЦЕДУРА ТЕХОБСЛУЖИВАНИЯ
Предохранительный термостат	Ежегодная проверка и/или проверка по необходимости	Обращаться в уполномоченный центр технической поддержки
Форсунка	Ежегодная замена и/или замена по необходимости	Обращаться в уполномоченный центр технической поддержки
Электрическая система	Ежегодная проверка и/или проверка по необходимости	Обращаться в уполномоченный центр технической поддержки
Вентилятор	Ежегодная очистка и/или очистка по необходимости	Обращаться в уполномоченный центр технической поддержки
Двигатель	Ежегодная проверка и/или проверка по необходимости	Обращаться в уполномоченный центр технической поддержки
Топливный насос	Ежегодная проверка и/или проверка по необходимости	Обращаться в уполномоченный центр технической поддержки
Камера сгорания	Ежегодная проверка и/или проверка по необходимости	Обращаться в уполномоченный центр технической поддержки

12. ОПРЕДЕЛЕНИЕ ПРОБЛЕМЫ

PROBLEM	POSSIBLE CAUSE	POSSIBLE SOLUTION
Нагреватель не запускается или не остается включенным	<ol style="list-style-type: none">1. Отсутствие питания2. Прерван силовой кабель3. Неисправная электронная система или необходимость выполнить сброс4. Неправильная настройка комнатного термостата (при наличии)5. Отсутствие топлива6. Наличие посторонних веществ в топливном контуре	<ol style="list-style-type: none">1a. Проверить наличие электропитания1b. Убедиться, что нагреватель подключен к правильной сети электропитания1c. Обращаться в уполномоченный центр технической поддержки2. Обращаться в уполномоченный центр технической поддержки3a. Выполнить сброс нагревателя3b. Обращаться в уполномоченный центр технической поддержки4. Установить на комнатном термостате температуру, превышающую температуру в рабочей среде5. Залить топливо и, при необходимости, выполнить сброс нагревателя6. Обращаться в уполномоченный центр технической поддержки
Нагреватель выпускает дым во время работы	<ol style="list-style-type: none">1. Наличие посторонних веществ в топливном контуре2. Засорение воздухозаборника	<ol style="list-style-type: none">1. Обращаться в уполномоченный центр технической поддержки2. Устранить все возможные препятствия на задней решетке
Нагреватель не выключается	<ol style="list-style-type: none">1. Неисправная электронная система	<ol style="list-style-type: none">1. Обращаться в уполномоченный центр технической поддержки

DŮLEŽITÉ: PŘEČTĚTE SI A POCHOpte TENTO NÁVOD DŘÍV, NEŽ PŘISTOUPÍTE K MONTÁŽI, UVEDENÍ DO PROVOZU NEBO ÚDRŽBĚ TOHOTO OHŘÍVAČE. NESPRÁVNÉ POUŽÍVÁNÍ OHŘÍVAČE MŮŽE ZPŮSOBIT VÁŽNÉ ZRANĚNÍ NEBO SMRT. USCHOVEJTE TUTO PŘÍRUČKU PRO PŘÍPADNÉ BUDOUCÍ POUŽITÍ.

1. POPIS

(Obr. 1) Tento ohříváč je vybaven příslušným hořákem, spalovací komorou s evakuací spalin do vnějšího prostředí a ventilátorem pro oběh horkého vzduchu s vysokým výkonem. Vzduch je ohříván díky tepelné energii, která je generována spalováním a přenášena prostřednictvím výměny tepla s kovovými povrchy spalovací komory a okruhu spalin.

Cesta vzduchu pro větrání a cesta spalin jsou od sebe odděleny kovovými svařovanými a utěsněnými povrchy. Produkty spalování jsou vedeny do výstupního kanálu; tento musí být připojen ke komínu nebo kouřové rouře s takovými rozměry, které zajišťují evakuaci spalin. Spalovací vzduch, to jest vzduch potřebný pro spalování, je nasáván přímo z hořáku, který jej odebírá z okolního prostředí; jeho rozměry a provozní podmínky musí být takové, aby byla zajištěna dostatečná výměna vzduchu.

2. BEZPEČNOSTNÍ INFORMACE

UPOZORNĚNÍ

⚠ DŮLEŽITÉ: Tento přístroj není určen pro používání osobami (včetně dětí) se sníženými fyzickými, smyslovými nebo duševními schopnostmi, nebo nezkušenými osobami, pokud nejsou pod dohledem osoby odpovědné za jejich bezpečnost. Děti musí být pod dozorem, aby se zajistilo, že si nebudou s přístrojem hrát.

⚠ NEBEZPEČÍ: Udušení kysličníkem uhelnatým může být fatální.

První příznaky udušení kysličníkem uhelnatým se podobají chřipce, s

bolestmi hlavy, závratěmi a/nebo nevolností. Tyto příznaky mohou být způsobeny nesprávnou funkcí ohříváče. **POKUD DOJDE K TĚMTO PŘÍZNAKŮM, OKAMŽITĚ VYJDETE NA OTEVŘENÉ PROSTRANSTVÍ** a nechte opravit ohříváč autorizovaným servisním střediskem.

▶▶ 2.1. PLNĚNÍ:

•••2.1.1. Pracovníci, pověřeni plněním, musí být vyškoleni a plně obeznámeni s pokyny výrobce a s odpovídajícími platnými předpisy o bezpečném plnění ohříváčů.

•••2.1.2. Používejte pouze typ paliva, které je výslovně uvedeno na štítku s technickými údaji, který je aplikován na ohříváči.

•••2.1.3. Nádrže pro skladování paliva musí být umístěny v samostatném objektu.

•••2.1.4. Všechny palivové nádrže musí být umístěny v minimální bezpečné vzdálenosti od ohříváče v souladu s platnými předpisy.

•••2.1.5. Palivo musí být skladováno v místnostech, kde podlaha nedovoluje jeho průnik a odkapávání na plameny, které by mohly způsobit vznícení paliva.

•••2.1.6. Skladování paliva musí být provedeno v souladu s platnými předpisy.

▶▶ 2.2. BEZPEČNOST:

•••2.2.1. Ujistěte se, že protipožární zařízení jsou k dispozici a odpovídají kapacitě ohříváče.

•••2.2.2. Nikdy nepoužívejte ohříváč v místech, kde jsou přítomny benzín, malířské rozpouštědla nebo jiné vysoce hořlavé výpary.

- 2.2.3. Při použití ohřivače dodržujte všechna místní nařízení a platné předpisy.
- 2.2.4. Ohřivače používané v blízkosti plachet, stanů, nebo jiných podobných krycích materiálů musí být umístěny v dostatečné vzdálenosti od nich. Doporučuje se použití ohnivzdorných krycích materiálů.
- 2.2.5. Používejte pouze v dobře větraných prostorách. Připravte vhodný otvor podle platných předpisů pro přívod čerstvého vzduchu zvenčí.
- 2.2.6. Napájejte ohřivač pouze proudem s napětím a frekvencí uvedenými na štítku s technickými údaji, který je aplikován na ohřivači.
- 2.2.7. Zkontrolujte správné uzemnění.
- 2.2.8. Používejte pouze prodlužovací šňůry s uzemněním.
- 2.2.9. Elektrické napájecí vedení ohřivače musí být vybaveno uzemněním, magneto-tepelným diferenciálním jističem a úsekovým odpojovačem.
- 2.2.10. Minimální doporučené bezpečné vzdálenosti mezi ohřivačem a hořlavými látkami jsou: přední výstup = 2,5 m (8.5 ft.) boční, horní a zadní = 1,5 m (5 ft.).
- 2.2.11. Ohřivač, který je teplý nebo v provozu, musí být na stabilním a rovném povrchu, aby se zabránilo nebezpečí vzniku požáru.
- 2.2.12. Udržujte zvířata v bezpečné vzdálenosti od ohřivače.
- 2.2.13. Odpojte ohřivač odelectrického napájení, když se nepoužívá.
- 2.2.14. Když je řízen termostatem, může se ohřivač zapnout kdykoliv.
- 2.2.15. Nikdy nepoužívejte ohřivač v často obydlených místnostech.
- 2.2.16. Nikdy neblokujte otvory sání vzduchu (zadní strana) nebo výstup vzduchu (přední strana) ohřivače.
- 2.2.17. Když je ohřivač teplý nebo připojen k elektrické síti či v provozu, nesmí být přemísťován, manipulován, ani být předmětem žádného údržbářského zásahu.

- 2.2.18. Vyhněte se usměrňování vzduchu na vstupu a/nebo výstupu jinak, než s použitím původních souprav (v případě potřeby).
- 2.2.19. Udržujte přiměřenou vzdálenost hořlavých materiálů nebo materiálů citlivých na teplo (včetně napájecího kabelu) od horkých částí ohřivače.
- 2.2.20. Pokud je napájecí kabel poškozen, musí být vyměněn v autorizovaném servisním středisku aby se předešlo možnému nebezpečí.
- 2.2.21. Při výměně hořáku používejte originální náhradní díly, úzkostlivě dodržujte ustanovení o průtoku, typu trysek a tlaku čerpadla. Zvýšení výkonu hořáku může poškodit ohřivač.

3. VYBALENÍ

UPOZORNĚNÍ: Obalový materiál není hračka pro děti. Udržujte igelitový sáček mimo dosah dětí; nebezpečí udušení!

- 3.1. Odstraňte všechny obalové materiály použité pro balení a expedici ohřivače. Zlikvidujte je podle platných předpisů.
- 3.2. Ohřivač je umístěn na plošině, zvedejte ho opatrně pomocí háků a řetězů. Pro zvedání ohřivače použijte otvory na konstrukci.
- 3.3. Zkontrolujte, zda nedošlo k poškození během přepravy. Pokud je ohřivač poškozený, okamžitě informujte autorizované servisní středisko.

4. PRINCIP FUNGOVÁNÍ

A. Spalovací komora, **B.** Spalovací hlava, **B.** Ventilátor, **D.** Hořák, **E.** Řídící zařízení, **F.** Komín.

(Obr. 2) Čerpadlo hořáku nasává palivo z nádrže a odešle jej do trysky pod tlakem, kde se rozprašuje a mísí se spalovacím vzduchem ve spalovací komoře. Jiskra spouští spalování, zatímco odpadní plyny jsou vyloučeni z komína. Řada senzorů

neustále kontroluje správnou funkci ohřivače zastavením cyklu v případě anomálií. Ventilátor, který je umístěn v zadní části ohřivače, má za úkol ochlazování spalovací komory a oběh spalin přenosem jejich tepla do okolního prostředí.

5. POKYNY PRO INSTALACI

POZOR: Pečlivě dodržujte všechny kroky popsané v tomto odstavci. Instalaci musí provádět pouze kvalifikovaný personál.

►► 5.1. ELEKTRICKÉ PŘIPOJENÍ:

POZOR: Elektrické napájecí vedení ohřivače musí být vybaveno uzemněním, magneto-tepelným diferenciálním jističem a úsekovým odpojovačem.

Standardní vybavení ohřivače zahrnuje všechny kontrolní a bezpečnostní zařízení, která jsou nezbytné pro jeho správný provoz: elektrický panel, hořák, bezpečnostní termostat s manuálním resetováním jsou již připojeny.

Během instalace musí být zajištěno připojení k elektrické síti prostřednictvím kabelů s odpovídajícím průřezem v souladu s požadavky platných národních předpisů a s technickými údaji na štítku, který je aplikován na ohřivači.

POZNÁMKA: PŘED SPUŠTĚNÍM OHŘÍVAČE JE NICMÉNĚ VHODNÉ ZKONTROLOVAT ELEKTRICKÉ ZAPOJENÍ.

►► 5.2. PŘIPOJENÍ VZDUCHOVÉHO POTRUBÍ NA VÝSTUPU:

PRO USMĚŘOVÁNÍ VZDUCHU POUŽÍVEJTE POUZE ORIGINÁLNÍ SOUPRAVY.

Instalaci vzduchového potrubí na výstup lze provést s použitím vhodného utahovacího pásu, nebo pomocí rychlospojky.

►► 5.3. PŘIPOJENÍ ODVODU SPALIN:

Tepelná účinnost a správný chod jsou přímo svázány se správným tahem komínového průduchu. Doporučuje se nevytvářet ohyby,

kteřé by se mohly ucpávat nebo redukovat částí komínového průduchu. Ohřivač musí být vybaven převážně vertikálním ocelovým kouřovodem a regulátorem tahu, pokud není připojen k vnějšímu komínu na odvod spalin, při respektování specifikací uvedených v této technické dokumentaci.

6. PALIVO

UPOZORNĚNÍ: Ohřivač pracuje pouze s naftou nebo petrolejem.

Používejte pouze naftu nebo petrolej. Aby nedošlo k požáru nebo výbuchu, nikdy nepoužívejte benzín, naftu, ředidlo, alkohol ani jiné vysoce hořlavé palivo.

Používejte netoxické přísady proti zmrznutí v případě velmi nízkých teplot.

Doporučujeme použít zimní naftu pod 5°C (41°F).

7. PROVOZ

UPOZORNĚNÍ: Před zapnutím ohřivače si pečlivě přečtěte „BEZPEČNOSTNÍ POKYNY“.

IDENTIFIKUJTE OVLÁDACÍ PANEL OHŘÍVAČE (Obr. 3).

►► 7.1.1. ZAPNUTÍ:

•••7.1.1.1. Zkontrolujte přítomnost paliva v okruhu.

•••7.1.1.2. Zapojte ohřivač do elektrické sítě (světelný indikátor vypínače se rozsvítí a signalizuje přítomnost napětí).

•••7.1.1.3. Nastavte klapky vzduchu hořáku dle údajů v tabulce (Obr. 4).

•••7.1.1.4. Umístěte vypínač zapnutí na ON (Obr. 5) (nejdříve se spustí hořák a asi po jedné minutě ventilátor).

POZNÁMKA: BĚHEM PROVOZU SVĚTELNÝ INDIKÁTOR VYPÍNAČE ZHASNE. V PŘÍPADĚ ZABLOKOVÁNÍ HOŘÁKUV DŮSLEDKU ANOMÁLIE ZAČNE SVĚTELNÝ INDIKÁTOR VYPÍNAČE BLIKAT (JEDEN DLOUHÝ ZÁBLESK A DVA KRÁTKÉ).

POZNÁMKA: OHŘÍVAČ JE VYBAVEN SENZOREM, KTERÝ NEPŘETRŽITĚ MONITORUJE TEPLOTU VZDUCHU NA VÝSTUPU [PRO NORMÁLNÍ PROVOZ MUSÍ BÝT TEPLOTA VZDUCHU NA VÝSTUPU POD 95°C (203°F)]. POKUD TEPLOTA VZDUCHU NA VÝSTUPU PŘEKROČÍ 95°C (203°F), OHŘÍVAČ VYPNE HOŘÁK (SVĚTELNÝ INDIKÁTOR VYPÍNAČE ZAČNE BLIKAT). KDYŽ SE TEPLOTA VRÁTÍ POD 95°C (203°F), HOŘÁK SE ZNOVU AUTOMATICKY AKTIVUJE.

►► 7.1.2. VYPNUTÍ:

DŮLEŽITÉ: Nikdy netahejte za zástrčku elektrického napájení pro vypnutí ohříváče.

DŮLEŽITÉ: Nikdy netahejte za zástrčku elektrického napájení dřív, než je ohříváč zcela vypnutý.

Umístěte vypínač zapnutí na OFF (Obr. 5) a počkejte, dokud se ohříváč úplně nezastaví. Když teplota na výstupu vzduchu klesne pod 50°C (122°F), ventilátor se vypne a světelný indikátor vypínače se zapne, aby signalizoval přítomnost napětí (klidový stav).

►► 7.1.3. OBNOVENÍ:

Během normálního provozu se může stát, že ohříváč se zablokuje (například kvůli nedostatku paliva), v tomto případě musí být ohříváč obnoven:

••7.1.3.1. OBNOVENÍ HOŘÁKU: Identifikujte a odstraňte příčinu, která způsobila zablokování, pro opětovnou aktivaci stiskněte po dobu deseti sekund tlačítko reset umístěné na hořáku (Obr. 6).

••7.1.3.2. OBNOVENÍ BEZPEČNOSTNÍHO TERMOSTATU: Identifikujte a odstraňte příčinu, která způsobila zásah bezpečnostního termostatu, poté stiskněte až na doraz tlačítko umístěné v zadní části ohříváče (Obr. 7).

••7.1.3.3. OBNOVA TEPELNÉHO JISTIČE: Identifikujte a odstraňte příčinu,

kteřá způsobila zásah tepelného jističe, poté stiskněte tlačítko reset umístěné pro jeho odblokování (Obr. 8).

8. PŘIPOJENÍ POKOJOVÉHO TERMOSTATU

Pro připojení pokojového termostatu sejměte příslušnou krytku zásuvky a zapojte pokojový termostat (Volitelný) (Obr. 9).

9. SKLADOVÁNÍ A PŘEPRAVA

Před každým přemístěním se ohříváč musí vypnout v souladu s řádným postupem a odpojit od elektrické sítě. Počkejte, dokud se ohříváč důkladně neochladí.

Před provedením jakéhokoliv přemístění se ujistěte, že podstavec, který se používá pro přemístění ohříváče, je schopen unést hmotnost (hmotnost je uvedena na technické specifikaci jednotky). Nepokoušejte se zvednout či přemístit ohříváč bez pomoci prostředků vhodných pro tento účel (tato operace musí být provedena s opatrností, aby nedošlo k ohrožení osob a poškození ohříváče).

10. ÚDRŽBA

DŮLEŽITÉ: Před prováděním jakékoli údržby nebo opravy odpojte napájecí kabel a ujistěte se, že ohříváč je studený.

S cílem co nejlépe uchovávat ohříváč a zabránit v maximální možné míře anomáliím nebo poruchám se doporučuje provádět řádnou pravidelnou údržbu.

►► 10.1. ČIŠTĚNÍ SPALOVACÍ KOMORY:

DŮLEŽITÉ: Obrat'te se na autorizované servisní středisko s žádostí o provedení této údržby.

Je vhodné postarat se o čištění spalovací komory a okruhu spalin alespoň jednou

ročně a/nebo podle potřeby, aby se zabránilo problémům s tahem komína a spalováním. Čištění spalovací komory se provádí skrz pět kontrolních otvorů, umístěných v přední části ohřívače.

Při čištění pečlivě dodržujte následující sekvenci (pečlivě uschovejte šrouby a podložky):

- 10.1.1. Odstraňte kužel vzduchovodu odšroubováním šroubů, které jej upevňují k ohřívači (Obr. 10).
- 10.1.2. Odstraňte desky, které uzavírají inspekční otvory odšroubováním šroubů (Obr. 11).
- 10.1.3. Odstraňte těsnění a už je nepoužívejte. Použijte pouze nové a originální těsnění (Obr. 12).
- 10.1.4. Nastříkejte vodu pod tlakem do komory přes inspekční otvor (Obr. 13). V okamžiku mytí nakloňte trysku do různých poloh, aby se voda dostala do všech štěrbin spalovací komory.
- 10.1.5. Zvyšte spalovací komoru na zadní straně, aby se odstranilo co možná nejvíce vody z vnitřku samotné komory (tato operace musí být prováděna s

největší péčí, aby nedošlo k ohrožení osob a poškození ohřívače) (Obr. 14).

- 10.1.6. Smontujte ohřívač provedením této sekvence operací v opačném pořadí jen s tím rozdílem, že nahradíte těsnění s originálními náhradními díly.

POZNÁMKA: PŘED OPĚTOVNÝM ZAPNUTÍM OHŘÍVAČE SE UJISTĚTE, ŽE JSTE ODSTRANILI CO MOŽNÁ NEJVÍCE VODY Z VNITŘKU SPALOVACÍ KOMORY, ABY NEDOŠLO K VZNIKU VÁŽNÝCH ŠKOD.

▶▶ 10.2. ČIŠTĚNÍ VENTILÁTORU:

Pro běžné čištění ventilátoru lze použít stlačený vzduch, foukáním vzduchu přes zadní mřížku.

▶▶ 10.3. ČIŠTĚNÍ HOŘÁKU:

DŮLEŽITÉ: Obrat'te se na autorizované servisní středisko s žádostí o provedení této údržby.

Co se týká čištění hořáku, přečtete si a pochopte specifický návod.

11. PROGRAM PREVENTIVNÍ ÚDRŽBY

UPOZORNĚNÍ: PŘED PROVÁDĚNÍM JAKÉKOLI ÚDRŽBY NEBO OPRAVY ODPOJTE NAPÁJECÍ KABEL A UJISTĚTE SE, ŽE OHŘÍVAČ JE STUDENÝ.

KOMPONENT	ČETNOST ÚDRŽBY	POSTUP ÚDRŽBY
Bezpečnostní termostat	Roční kontrola a/nebo v závislosti na potřebě	Obrat'te se na autorizované servisní středisko
Tryska	Roční výměna a/nebo v závislosti na potřebě	Obrat'te se na autorizované servisní středisko
Elektrický systém	Roční kontrola a/nebo v závislosti na potřebě	Obrat'te se na autorizované servisní středisko
Ventilátor	Roční čištění a/nebo v závislosti na potřebě	Obrat'te se na autorizované servisní středisko
Motor	Roční kontrola a/nebo v závislosti na potřebě	Obrat'te se na autorizované servisní středisko
Palivové čerpadlo	Roční kontrola a/nebo v závislosti na potřebě	Obrat'te se na autorizované servisní středisko
Spalovací komora	Roční kontrola a/nebo v závislosti na potřebě	Obrat'te se na autorizované servisní středisko

12. URČENÍ PROBLÉMU

PROBLÉM	MOŽNÁ PŘÍČINA	MOŽNÉ ŘEŠENÍ
Ohřívač se nespustí nebo nezůstane zapnutý	<ol style="list-style-type: none">1. Chybí napájení2. Napájecí kabel přerušen3. Elektronika k resetování nebo vadná4. Nesprávné nastavení pokojového termostatu (pokud je přítomen)5. Chybí palivo6. Přítomnost cizích látek v palivovém okruhu	<ol style="list-style-type: none">1a. Zkontrolujte přítomnost elektrického napájení1b. Ujistěte se, že ohřívač je připojen ke správnému elektrickému napájení1c. Obratě se na autorizované servisní středisko2. Obratě se na autorizované servisní středisko3a. Resetujte ohřívač3b. Obratě se na autorizované servisní středisko4. Působte na pokojový termostat nastavením teploty vyšší, než je pracovní prostředí5. Doplňte palivo a případně ohřívač resetujte6. Obratě se na autorizované servisní středisko
Ohřívač produkuje kouř během provozu	<ol style="list-style-type: none">1. Přítomnost cizích látek v palivovém okruhu2. Obstrukce vstupujícího přívodu vzduchu	<ol style="list-style-type: none">1. Obratě se na autorizované servisní středisko2. Odstraňte všechny možné obstrukce ze zadní mřížky
Ohřívač se nevypne	<ol style="list-style-type: none">1. Vadná elektronika	<ol style="list-style-type: none">1. Obratě se na autorizované servisní středisko

FONTOS: A LÉGHEVÍTŐ ÖSSZESZERELÉSE, MŰKÖDÉSBE HELYEZÉSE VAGY KARBANTARTÁSA ELŐTT FIGYELMESEN OLVASSA EL ÉS ÉRTSE MEG AZ ALÁBBI HASZNÁLATI UTASÍTÁSBAN LEÍRT INFORMÁCIÓKAT. A LÉGHEVÍTŐ HELYTELEN HASZNÁLATA KOMOLY TESTI SÉRÜLÉSEKET OKOZHAT. A HASZNÁLATI UTASÍTÁST TARTSA MEG KÉSŐBBI HIVATKOZÁSHOZ.


1. LEÍRÁS


(1. Ábra) Ez a léghevítő rendelkezik saját égővel, egy füstkivezetős égőkamrával, valamint egy nagyteljesítményű ventilátorral, mely a meleg levegő áramoltatására szolgál. A levegőt az égés közben keletkező hőenergia melegíti fel, melyet hőcsere útján történik az égéstér és a füstkivezető fém felületein keresztül.

A szellőzőlevegő és a füst útvonalát légmentesen összehegesztett és tömített fém felületek választják el. Az égéstermékek egy elvezető csatornába kerülnek; utóbbit egy olyan kéményhez vagy füstcsőhöz kell csatlakoztatni, mely biztosítja a füst szabad távozását. Az égési levegőt, vagyis az égéshez szükséges levegőt, az égő közvetlenül szívja be és azt a környezetéből veszi fel; utóbbi méretének valamint a munkafeltételeknek olyannak kell lenniük, hogy a megfelelő légcsere biztosítva legyen.

2. BIZTONSÁGI SZABÁLYOK

FIGYELMEZTETÉSEK

 **FONTOS:** A készüléket csökkent értelmi, fizikai képességű vagy megfelelő tapasztalattal nem rendelkező személyek (beleértve a gyermekeket is) nem használhatják, kivéve, ha biztonságukról gondosodik egy a készülék használatát felügyelő személy. A gyermekeknek ne engedje, hogy játsszanak a készülékkel.

 **VESZÉLY:** A szénmonoxid mérgezés halálos kimenetelű lehet.

A szén-monoxid mérgezés első jelei hasonlítanak az influenza tüneteihez: fejfájás, szédülés és/vagy hányinger. Ezen tüneteket a léghevítő meghibásodása okozhatja. **AMENNYIBEN EZEKET**

A TÜNETEKET ÉSZLELI, AZONNAL MENJEN KI A SZABAD LEVEGŐRE és javíttassamegaléghevítőtafelhatalmazott műszaki szervizszolgálattal.

▶▶ 2.1. FELTÖLTÉS:

- 2.1.1. A léghevítő feltöltését a gyártói utasítások és a léghevítő feltöltésének biztonságos feltöltésére vonatkozó érvényben lévő szabályok teljes ismeretében lévő szakember végezheti.
- 2.1.2. Kizárólag a léghevítő műszaki adatait tartalmazó címkén feltüntetett tüzelőanyagot használja.
- 2.1.3. A fűtőanyag tárolóknak elkülönített szerkezetben kell lenniük.
- 2.1.4. Az érvényben lévő szabályoknak megfelelően a fűtőanyag tartályoknak a minimális biztonsági távolságra kell lenniük a léghevítőktől.
- 2.1.5. A fűtőanyagot olyan helyen tárolja, ahol a padlózat nem teszi lehetővé a penetrációt és a fűtőanyag cseppek nem okoznak öngyulladást.
- 2.1.6. A fűtőanyag tárolását az érvényben lévő szabályoknak megfelelően kell végezni.

▶▶ 2.2. BIZTONSÁG:

- 2.2.1. Ellenőrizze, hogy a tűzoltó készülékek rendelkezésre állnak-e, és hogy megfelelnek-e léghevítő teljesítményének.
- 2.2.2. Soha ne használja a léghevítőt olyan helyiségben, ahol benzint, higítót tárol, vagy egyéb gyúlékony gőz keletkezhet.
- 2.2.3. A léghevítő használata során tartsa be a helyi előírásokat és a vonatkozó szabványokat.
- 2.2.4. Ha a léghevítőt ponyvák, vásznak vagy egyéb takaró anyagok közelében használja, tartson megfelelő biztonsági távolságot. Azt tanácsoljuk, használjon tűzálló takaróponyvákat.

- 2.2.5. A léghevítőt kizárólag jól szellőző helyen használja. Biztosítson az érvényben lévő szabályoknak megfelelően tág teret friss levegő beengedésére.
- 2.2.6. A léghevítőt kizárólag olyan hálózatra csatlakoztassa, amelynek feszültsége és frekvenciája megegyezik a készülék műszaki adatait tartalmazó címkén feltüntetett frekvencia és feszültség adatokkal.
- 2.2.7. Ellenőrizze a megfelelő földelését.
- 2.2.8. Kizárólag földelt hosszabbítókábelt használjon.
- 2.2.9. A léghevítő tápkábelét el kell látni földeléssel, magnetotermikus differenciál megszakítóval és áramköri megszakítóval.
- 2.2.10. A minimum ajánlott biztonsági távolság a léghevítő és a gyúlékony anyagok között: elülső kimenetnél = 2,5 m (8.5 ft.); oldalsó, magasság és hátsó távolság = 1,5 m (5 ft.).
- 2.2.11. A tűzveszély elkerülése érdekében helyezze a meleg vagy még működő léghevítőt egy stabil vízszintes felületre.
- 2.2.12. Az állatokat tartsa a léghevítőtől biztonságos távolságban.
- 2.2.13. Amikor a készüléket nem használja, húzza ki a tápkábelt.
- 2.2.14. Amikor a léghevítőt termosztát vezérli, az bármikor bekapcsolhat.
- 2.2.15. Ne használja a léghevítőt gyakran látogatott szobákban.
- 2.2.16. Ne fedje le a léghevítő levegőbeszívó (hátsul) és kifúvó (elöl) nyílásait.
- 2.2.17. Amikor a léghevítő csatlakoztatva van az elektromos hálózatba, a készülékhez hozzányúlni vagy azon egyéb műveleteket végezni tilos.
- 2.2.18. A kimenő és bemenő levegő terelését eredeti készlettel (ahol biztosított) végezze.
- 2.2.19. A készülék forró részeit tartsa gyúlékony vagy hőre lágyuló anyagoktól (a tápvezetéket beleértve) biztonságos távolságra.

- 2.2.20. A balesetveszély elkerülése érdekében ha a tápvezeték sérült, cseréltesse ki azt felhatalmazott márkaszervizben.
- 2.2.21. Az égő cseréje során használjon eredeti alkatrészeket, valamint szigorúan tartsa tiszteletben a távolságokra, a fúvókák típusára és a szivattyú nyomásra vonatkozó előírásokat. Az égő teljesítményének növelése kárt tehet a léghevítőben.

3. ACSOMAGOLÁSELTÁVOLÍTÁSA

FIGYELMEZTETÉS: A csomagolóanyag nem játékszer. A műanyag csomagolót tartsa távol gyermekektől; fulladásveszély!

- 3.1. Távolítsa el a léghevítőről az összes csomagoláshoz és szállításhoz használt anyagot. Selejtezze őket az érvényben lévő szabályoknak megfelelően.
- 3.2. A léghevítő a platformra van helyezve, óvatosan emelje fel horgok és láncok segítségével. A készülék emelése a szerkezetre fűrt lyukakon keresztül történik.
- 3.3. Ellenőrizze, hogy a készülék nem szenvedett-e károkat a szállítás során. Ha a léghevítő sérültnek tűnik, azonnal értesítse a felhatalmazott márkaszervizt.

4. MŰKÖDÉSI ELV

A. Égéstér, **B.** Égőfej, **C.** Ventilátor, **D.** Égő, **E.** Irányító berendezés, **F.** Kémény.

(2. Ábra) Az égő szivattyúja a tartályból szívja a tüzelőanyagot, és nyomás alatt álló a fúvókához juttatja azt, ahol az elporlad és keveredik az égési levegővel az égéstérben. Egy szikra begyűjtja az égést miközben a füst a kéményen keresztül távozik. Érzékelők ellenőrzik folyamatosan a léghevítő megfelelő működését, melyek rendellenesség esetén leállítják a ciklust. A léghevítő hátoldalán lévő ventilátor feladat az égéstér és a füstkivezető hűtése, az által, hogy azok hőjét leadja a környezetnek.

5. UTASÍTÁSOK A TELEPÍTÉSHEZ

FIGYELEM: Szigorúan tartsa be az ebben a fejezetben leírt összes műveletet. A telepítést kizáró kizárólag szakképzett szakember végezheti.

►► 5.1. ELEKTOMOS CSATLAKOZÁSOK:

FIGYELEM: A léghevítő tápkábelét el kell látni földeléssel, magnetotermikus differenciál megszakítóval és áramköri megszakítóval.

A léghevítő alapfelszereltségben tartalmazza az összes irányító és biztonsági eszközt, melyek elengedhetetlenek a normális működéséhez: az elektromos panel, az égő, és a manuálisan helyreállítható biztonsági termosztát már csatlakoztatva van.

A telepítés során a hálózati csatlakozást az érvényben lévő nemzeti előírásoknak megfelelő, valamint a léghevítő műszaki adatait tartalmazó címkéjén szereplő kábelekkel kell biztosítani.

MEGJEGYZÉS: A LÉGEHVÍTŐ BEKAPCSOLÁSA ELŐTT AJÁNLTOS ELLENŐRIZNI A HÁLÓZATI CSATLAKOZÁST.

►► 5.2. KILÉPŐ LEVEGŐ CSATORNÁJÁNAK CSATLAKOZTATÁSA:

A CSATORNÁHOZ CSAK EREDETI ALKATRÉSZEKET HASZNÁLJON.

A kilépő levegő csatornájának telepítése elvégezhető a megfelelő feszítőhúrral vagy gyorscsatlakozóval.

►► 5.3. FÜSTKIVEZETŐ CSATLAKOZÁS:

A megfelelő termikus határfok és a megfelelő működés feltétele a helyesen bekötött füstelvezető kémény. Ajánlott elkerülni a nem megfelelő hajlatokat és szűkítéseket a füstelvezető kémény kialakítása során. A léghevítőt egy túlnyomórészt függőleges acél füstelvezetővel kell ellátni, ha az nincs külső füstelvezető kéményhez csatlakoztatva az ebben a műszaki leírásban foglaltak szerint.

6. TÜZELŐANYAG

FIGYELMEZTETÉS: A léghevítő kizárólag DÍZELLEL vagy KEROZINNAL működik.

Kizárólag dízelt vagy kerozint használjon. A tűz- és robbanásveszély elkerülése érdekében soha ne használjon benzint, gázolajat, oldószereket, alkoholt vagy más gyúlékony fűtőanyagot.

Nagyon alacsony hőmérséklet esetén használjon fagyálló nem mérgező adalékanyagokat.

+5°C (41°F) alatti hőmérsékletnél ajánlott a téli gázolaj használata.

7. MŰKÖDÉS

FIGYELMEZTETÉS: A léghevítő bekapcsolása előtt olvassa el figyelmesen a „BIZTONSÁGI SZABÁLYOK” c. fejezetet.

A LÉGHEVÍTŐ VEZÉRLŐPANELJÉNEK ISMERTETÉSE (3. Ábra).

►► 7.1.1. BEKAPCSOLÁS:

- 7.1.1.1. Ellenőrizze, hogy van-e a fűtőanyag a rendszerben.
- 7.1.1.2. Csatlakoztassa a léghevítőt az elektromos hálózathoz (a kapcsoló világító jelzése világít, jelezve, hogy a készülék feszültség alatt áll).
- 7.1.1.3. Állítsa be az égő légsappantyúját a táblázatban szereplő adatok szerint (4. Ábra).
- 7.1.1.4. Rakja a kapcsolót ON állásba (5. Ábra) (először beindul az ég, majd nagyjából egy perccel azután a légáramoltatás).

MEGJEGYZÉS: MŰKÖDÉS KÖZBEN A KAPCSOLÓ VILÁGÍTÓ JELZÉSE KIALSZIK. HA VALAMI RENDELLENESSÉGBŐL KIFOLYÓLAG AZ ÉGŐ ELDUGUL, AKKOR A VILÁGÍTÓ JELZÉS VILLOGNI KEZD (EGY HOSSZABB VILLANÁST KÉT RÖVID KÖVET).

MEGJEGYZÉS: A LÉGHEVÍTŐ RENDELKEZIK EGY ÉRZEKLŐVEL, MELY FOYAMATOSAN ELLENŐRZI A KILÉPŐ LEVEGŐ HŐMÉRSÉKLETÉT [A NORMÁL MŰKÖDÉS ÉRDEKÉBEN A KILÉPŐ LEVEGŐ HŐMÉRSÉKLETÉNEK

+95°C (203°F) ALATT KELL LENNIE]. HA A KILÉPŐ LEVEGŐ HŐMÉRSÉKLETE MEGHALADJA A +95°C-OT (203°F), AKKOR A LÉGHEVÍTŐ KIKAPCSOLJA AZ ÉGŐT (A KAPCSOLÓ VILÁGÍTÓ JELZÉSE VILLOGNI KEZD). HA A HŐMÉRSÉKLET ISMÉT +95°C (203°F) ALÁ ESIK, AKKOR AZ ÉGŐ ÚJRA BEKAPCSOL AUTOMATIKUSAN.

►► 7.1.2. KIKAPCSOLÁS:

FONTOS: Soha ne kapcsolja ki a léghevítőt úgy, hogy kihúzza azt az áramellátásból.

FONTOS: Soha ne húzza ki a léghevítőt az áramellátásból mielőtt az teljesen kikapcsolt volna.

Rakja a kapcsolót OFF állásba (5. Ábra), és várja meg amíg a léghevítő teljesen leáll. Ha a kilép levegő hőmérséklete +50°C (122°F) alá csökken, akkor a ventilátor kikapcsol és a kapcsoló világító jelzése világítani kezd, jelezve, hogy feszültség alatt áll (nyugalmi állapot).

►► 7.1.3. HELYREÁLLÍTÁS:

Normál működés során előfordulhat, hogy a léghevítő leblokkol (például tüzelőanyag hiánya esetén), ilyenkor helyre kell állítani azt:

•••7.1.3.1. AZ ÉGŐ HELYREÁLLÍTÁSA:

Azonosítani és orvosolni kell a leállás okát, majd az égő újraindításához legalább tíz másodpercig nyomva kell tartani az égőn lévő helyreállítási gombot (6. Ábra).

•••7.1.3.2. A BIZTONSÁGI TERMOSZTÁT HELYREÁLLÍTÁSA

Azonosítani és orvosolni kell a biztonsági termosztát zavarát, majd jól meg kell nyomni a léghevítő hátulján lévő újraindító gombot (7. Ábra).

•••7.1.3.3. A TERMIKUS MEGSZAKÍTÓ HELYREÁLLÍTÁSA:

Azonosítani és orvosolni kell az okot, mely kiváltotta a termikus megszakító közbelépését. majd feloldásához nyomja meg a helyreállító gombot (8. Ábra).

8. KÖRNYEZETI LEVEGŐ TERMOSZTÁT CSATALKOZTATÁSA

A környezeti levegő termosztát csatlakoztatása előtt vegye le a csatlakozó kupakját (Opcionális) (9. Ábra).

9. TÁROLÁS ÉS SZÁLLÍTÁS

A léghevítőt minden mozgatás előtt a megfelelő eljárás szerint ki kell kapcsolni, és ki kell húzni az elektromos hálózatról. Várja meg amíg a léghevítő kellőképpen lehűlt.

Minden mozgatás előtt győződjön meg arról, hogy a szállításra használt támaszték elbírja-e a léghevítő súlyát (a súly a készülék műszaki leírásában van feltüntetve). Ne próbálja meg felemelni vagy mozgatni a léghevítőt az erre a célra alkalmas gépek használata nélkül (ezt a műveletet rendkívül körültekintően kell elvégezni, hogy ne történjen személyi sérülés, ill. ne keletkezzen kár a léghevítőben).

hu

10. KARBANTARTÁS

FONTOS: Bármely karbantartási vagy javítási beavatkozás esetén válassza le a léghevítőt a hálózatról és ellenőrizze, hogy a léghevítő kihűlt-e.

A léghevítő állapotának megőrzése, valamint a rendellenességek és hibák lehetőségének minimalizálása érdekében ajánlott rendszeres karbantartást végezni.

►► 10.1. AZ ÉGÉSTÉR TISZTÍTÁSA:

FONTOS: Ezen karbantartási művelet elvégzéséhez forduljon a felhatalmazott technikai segítségnyújtóhoz.

A kémény és az égés szabad légzését gátló problémáinak elkerülése érdekében ajánlott az égéstér és a füstelvezető tisztítása évenként és/vagy ha szükség van rá. Az égéstér tisztítása a léghevítő hátulján lévő öt vizsgálónyíláson keresztül történik.

A tisztítás elvégzéséhez szigorúan tartsa be a következő lépéseket (gondosan őrizze meg a csavarokat és alátéteket):

- 10.1.1. Csavarja ki a légcsatorna kúpját a léghevítőhöz rögzítő csavarokat és távolítsa el azt (10. Ábra).
- 10.1.2. A csavarok kicsavarozásával távolítsa el a vizsgálónyílásokat fedő lemezeket (11. Ábra).
- 10.1.3. Távolítsa el a tömítéseket és azokat ne használja már fel újra. Kizárólag új és eredeti tömítést használjon (12. Ábra).
- 10.1.4. A vizsgálónyílásokon keresztül fecskendezzen nagynyomású vizet az égéstérbe (13. Ábra). Mosás közben mozgassa körbe a szórófejet, hogy a víz az égéstér minden részébe eljusson.
- 10.1.5. Emelje fel az égéstér hátulját, hogy a lehető legtöbb víz távozzon belőle (ezt a műveletet rendkívül körültekintően kell elvégezni, hogy ne történjen személyi sérülés, ill. ne keletkezzen kár a léghevítőben) (14. Ábra).
- 10.1.6. Szerelje össze a léghevítőt követve ezeket a lépéseket visszafelé, és cserélje ki a tömítéseket kizárólag eredeti cserealkatrészeket használva.

MEGJEGYZÉS: A SÚLYOS KÁROK ELKERÜLÉSE ÉRDEKÉBEN GYŐZŐDJÖN MEG ARRÓL, HOGY A LEHETŐ LEGKEVESEBB VÍZ LEGYEN AZ ÉGÉSTÉRBEN A LÉGHEVÍTŐ ISMÉTELT BEKAPCSOLÁSA ELŐTT.

▶▶ **10.2. A VENTILÁTOR TISZTÍTÁSA:**

A ventilátor rendszeres tisztításához használhat sűrített levegőt, melyet a hátsó rácson kell befújni.

▶▶ **10.3. AZ ÉGŐ TISZTÍTÁSA:**

FONTOS: Ezen karbantartási művelet elvégzéséhez forduljon a felhatalmazott technikai segítségnyújtóhoz.

Az égő tisztítását illetően, olvassa el és értelmezze a megfelelő utasítást.

hu

11. MEGELŐZŐ KARBANTARTÁS

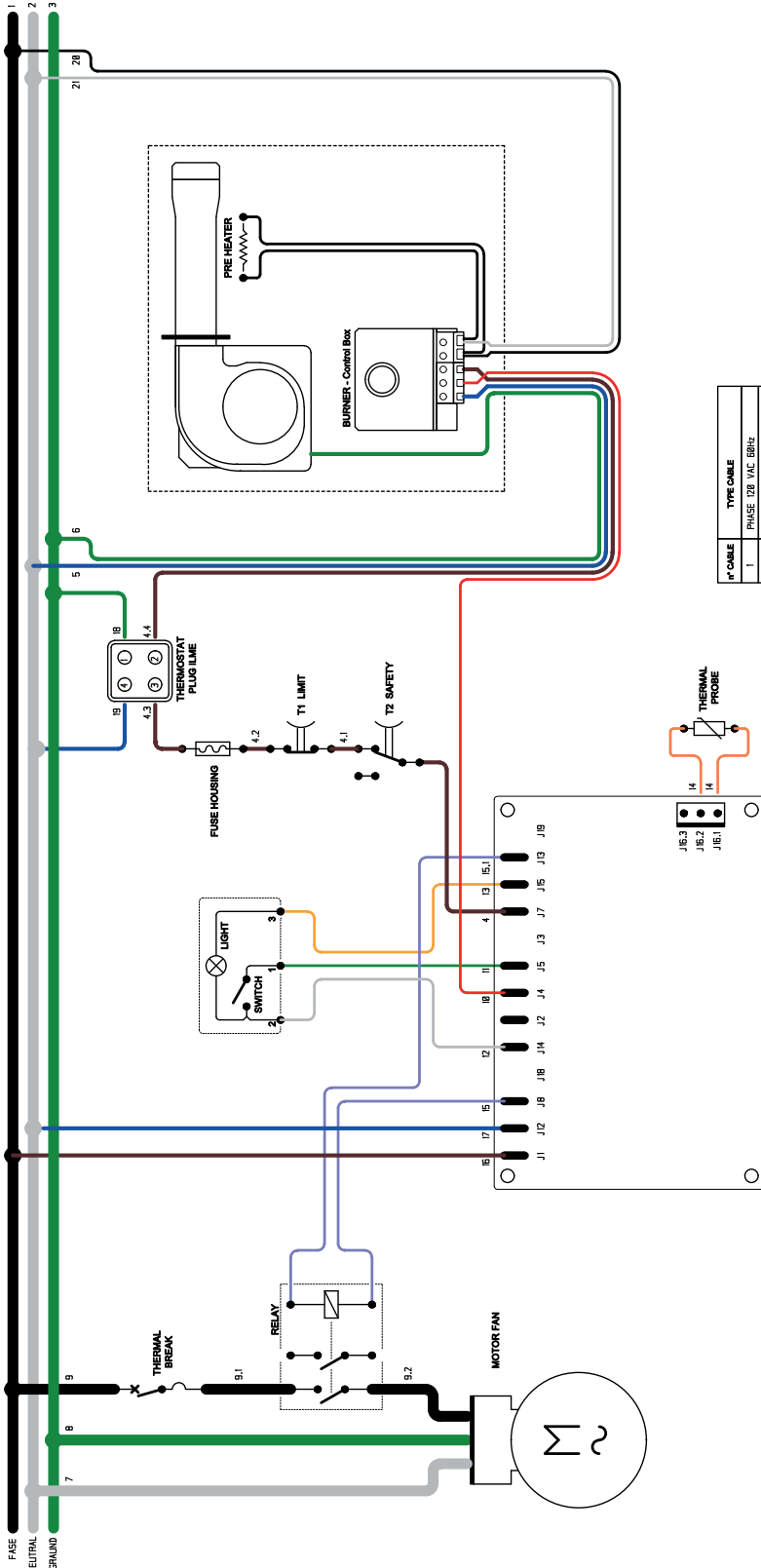
FIGYELMEZTETÉS: BÁRMELY KARBANTARTÁSI VAGY JAVÍTÁSI BEAVATKOZÁS ESETÉN VÁLASSZA LE A LÉGHEVÍTŐT A HÁLÓZATRÓL ÉS ELLENŐRIZZE, HOGY A LÉGHEVÍTŐ KIHÚLT-E.

ÖSSZETEVŐK	KARBANTARTÁS GYAKORISÁGA	KARBANTARTÁS FOLYAMATA
Biztonsági termosztát	Évente és/vagy szükség szerint kell ellenőrizni	Forduljon a felhatalmazott technikai segítségnyújtóhoz
Fúvóka	Évente és/vagy szükség szerint kell cserélni	Forduljon a felhatalmazott technikai segítségnyújtóhoz
Elektromos rendszer	Évente és/vagy szükség szerint kell ellenőrizni	Forduljon a felhatalmazott technikai segítségnyújtóhoz
Ventilátor	Évente és/vagy szükség szerint kell tisztítani	Forduljon a felhatalmazott technikai segítségnyújtóhoz
Motor	Évente és/vagy szükség szerint kell ellenőrizni	Forduljon a felhatalmazott technikai segítségnyújtóhoz
Tüzelőanyag szivattyú	Évente és/vagy szükség szerint kell ellenőrizni	Forduljon a felhatalmazott technikai segítségnyújtóhoz
Égéskamra	Évente és/vagy szükség szerint kell ellenőrizni	Forduljon a felhatalmazott technikai segítségnyújtóhoz

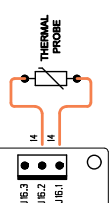
12. PROBLÉMA FELTÁRÁSA

PROBLÉMA	LEHETSÉGES OK	LEHETSÉGES MEGOLDÁS
A léghevítő nem indul el vagy nem kapcsol be	<ol style="list-style-type: none">1. Áram hiány2. A tápkábel eltört3. Elektronika hibás vagy újra kell indítani4. Környezeti levegő termosztát hibásan van beállítva (ahol van)5. Nincs fűtőanyag6. Az fűtőanyag ellátó körben idegen anyag van	<ol style="list-style-type: none">1a. Ellenőrizze, hogy van-e áramellátás1b. Ellenőrizze, hogy a léghevítő a megfelelő áramellátásra van-e kötve1c. Forduljon a felhatalmazott technikai segítségnyújtóhoz2. Forduljon a felhatalmazott technikai segítségnyújtóhoz3a. Indítsa újra a léghevítőt3b. Forduljon a felhatalmazott technikai segítségnyújtóhoz4. Állítsa a környezeti levegő termosztát hőmérsékletét a munkakörnyezetnél nagyobb hőmérsékletre5. Töltse fel a tartályt fűtőanyaggal majd indítsa újra a léghevítőt6. Forduljon a felhatalmazott technikai segítségnyújtóhoz
A léghevítő működése közben füst keletkezik	<ol style="list-style-type: none">1. Az fűtőanyag ellátó körben idegen anyag van2. Légbeszívó bemeneténél dugulás van	<ol style="list-style-type: none">1. Forduljon a felhatalmazott technikai segítségnyújtóhoz2. Távolítsa el minden lehetséges dugulást a hátsó rácsnál
A léghevítő nem kapcsol be	<ol style="list-style-type: none">1. Hibás elektronika	<ol style="list-style-type: none">1. Forduljon a felhatalmazott technikai segítségnyújtóhoz

WIRING DIAGRAMS - SCHEMI ELETTRICI - SCHALTPLÄNE - ESQUEMAS ELÉCTRICOS - SCHEMAS ELECTRIQUES - ELEKTRISCHE SCHEMA'S - ESQUEMAS ELÉCTRICOS - ELEKTRISKE SKEMAER - SÄHKÖKAAVIOT - KOPLINGSKJEMA - ELEKTRISKA KOPPLINGSSCHEMAN - SCHEMATY ELEKTRYCZNE - ЭЛЕКТРИЧЕСКИЕ СХЕМЫ - ELEKTRICKÁ SCHÉMATA - VILLANYBEKÖTÉSI RAJZOK - ELEKTRIČNE SHEME - ELEKTRİK ŞEMALARI - ELEKTRIČNE SHEME - ELEKTROS SCHEMOS - ELEKTRISKĀS SHĒMAS - ELEKTRISKEEMID - SCHEME ELECTRICE - ELEKTRICKÉ SCHÉMY - ЕЛЕКТРИЧЕСКИ СХЕМИ - ЕЛЕКТРИЧНИ СХЕМИ - ELEKTRIČNE ŠEME - ΗΛΕΚΤΡΙΚΑ ΣΧΕΔΙΑ - 线路图 - ЭЛЕКТРЛІ СУЛБЕЛЕР



W CABLE	TYPE CABLE
1	PHASE 120 VAC 60Hz
2	NEUTRAL 120 VAC 60Hz
3	GROUND
4	PHASE BURNER
5	NEUTRAL BURNER
6	GROUND BURNER
7	NEUTRAL MOTOR FAN
8	GROUND MOTOR FAN
9	PHASE MOTOR FAN
10	SIGNAL LOCK BURNER
11	SWITCH ON/OFF
12	SWITCH NEUTRAL
13	SWITCH LIGHT
14	WTC SENSOR
15	RELAY FAN
16	PHASE BOARD 120 VAC 60Hz
17	NEUTRAL BOARD 120 VAC 60Hz
18	GROUND THERMOSTAT
19	NEUTRAL THERMOSTAT
20	PHASE PRE-HEATER
21	NEUTRAL PRE-HEATER





CE CONFORMITY CERTIFICATE - DICHIARAZIONE DI CONFORMITÀ CE - EG-KONFORMITÄTSEKTLÄRUNG - DECLARACIÓN DE CONFORMIDAD CE - DECLARATION DE CONFORMITE CE - EG-CONFORMITEITVERKLARING - DECLARAÇÃO DE CONFORMIDADE CE - EU-OVERENSSTEMMELSESERKLÆRING - EY-VAATIMUSTENMUKAISUUSVAKUUTUS - CE-SAMSVARERKLÆRING - EG-FÖRSÄKRAN OM ÖVERENSSTÄMMELSE - DEKLARACJA ZGODNOŚCI WE - ДЕКЛАРАЦИЯ О СООТВЕТСТВИИ CE - PROHLÁŠENÍ O SHODĚ CE - EK MEGFELELŐSÉGI NYILATKOZAT - IZJAVA O SKLADNOSTI IN OZNAKA CE - CE UYGUNLUK BEYANI - IZJAVA CE O SUKLADNOSTI - ES ATITIKTIES DEKLARACIJA - EK ATBILSTĪBAS - DEKLARĀCIJA - EŪ VASTAVUSDEKLARĀCIJAS - DECLARAȚIE DE CONFORMITATE CE - PREHLÁSENIE O ZHODE CE - ДЕКЛАРАЦІЯ ЗА СЪВМЕСТИМОСТ CE - ДЕКЛАРАЦІЯ ВІДПОВІДНОСТІ CE - IZJAVA CE O PRIKLADNOSTI ΔΗΛΩΣΗ ΣΥΜΜΟΡΦΩΣΗΣ CE - CE 符合性声明

MCS ITALY S.p.A. Via Gardesana 11, -37010- Pastrengo (VR), ITALY

Product: - Prodotto: - Produkt: - Producto: - Produit: - Product: - Produto: - Produkt: - Tuote: - Produkt: - Produkt: - Produkt: - Изделие: - Výrobek: - Termék: - Izdelek: - Ürün: - Proizvod: - Gaminys: - Ieīce: - Toode: - Produsul: - Výrobok: - Продукт: - Виріб: - Proizvod: - Προϊόν: - 产品:

BV 500-13 - BV 500-13 R

We declare that it is compliant with: - Si dichiara che è conforme a: - Es wird als konform mit den folgenden Normen erklärt: - Se declara que está en conformidad con: - Nous déclarons sa conformité à: - Hierbij wordt verklaard dat het product conform is met: - Declara-se que está em conformidade com: - Vi erklærer at produktet er i overensstemmelse med: - Vakuutetaan olevan yhdenmukainen: - Man erklærer at apparatet er i overensstemmelse med: - Härmed intygas det att produkten är förenlig med följande: - Oświadczam, że jest zgodny z: - Заявляем о соответствии требованиям: - Prohlašuje se, že je v souladu s: - Kijelentjük, hogy a termék megfelel az alábbiaknak: - Izpolnjuje zahteve: - Aşağıdaki standartlara uygun olduğunu beyan ederiz: - Izjavljuje se da je u skladu s: - Pareiškiam, kad atitinka: - Tiek deklarēts, ka atbilst: - Käesolevaga deklareeritakse, et toode vastab: - Declarăm că este conform următoarelor: - Prehlasuje sa, že je v súlade s: - Декларира се че отговаря на: - Відповідає вимогам: - Izjavljuje se da je u skladu s: - Δηλώνουμε ότι είναι σύμφωνο με: - 兹证明符合:

2014/30/EU, 2014/35/EU, 2009/125/EC

**EN 55014-1, EN 55014-2, EN 61000-3-2, EN 61000-3-3,
EN 62233, EN 60335-1, EN 60335-2-102**

Pastrengo, 14/09/2016

Stefano Verani (CEO MCS Group)

► en - DISPOSAL OF THE PRODUCT

- This product has been designed and manufactured with top-quality materials and components, which can be re-cycled and re-used.
- When a crossed-wheely bin symbol is attached to the product, it means that the product is protected by the, 2002/96/EC European Directive.
- Please obtain information regarding the local differentiated collection system for electrical and electronic products.
- Respect local Standards in force and do not dispose of old products as normal domestic waste. Correct disposal of the product helps to prevent possible negative consequences for health, the environment and mankind.

► it - SMALTIMENTO DEL PRODOTTO

- Questo prodotto è stato progettato e fabbricato con materiali e componenti di alta qualità, che possono essere riciclati e riutilizzati.
- Quando ad un prodotto è attaccato il simbolo del bidone con le ruote segnato da una croce, significa che il prodotto è tutelato dalla Direttiva Europea 2002/96/CE.
- Si prega di informarsi in merito al sistema locale di raccolta differenziata per i prodotti elettrici ed elettronici.
- Rispettare le norme locali in vigore e non smaltire i prodotti vecchi nei normali rifiuti domestici. Il corretto smaltimento del prodotto aiuta ad evitare possibili conseguenze negative per la salute dell'ambiente e dell'uomo.

► de - ENTSORGUNG DES PRODUKTS

- Dieses Produkt wurde unter Verwendung von Qualitätsmaterialien und -bauteilen entwickelt und hergestellt, die recycelt und wieder verwendet werden können.
- Ist ein Produkt gekennzeichnet durch die Mülltonne mit Rädern und einem Kreuz, wird hier angezeigt, dass dieses Produkt durch die europäische Richtlinie 2002/96/EG überwacht ist.
- Es wird gebeten, sich über die vor Ort bestehende Mülltrennung bezüglich elektrischer und elektronischer Produkte zu informieren.
- Die vor Ort geltenden Vorschriften zur Müllentsorgung müssen eingehalten werden und alte Produkte dürfen nicht zusammen mit dem Hausmüll entsorgt werden. Die ordnungsgemäße Entsorgung des Produkts hilft mögliche negative Folgen für Gesundheit und Umwelt zu vermeiden.

► es - ELIMINACIÓN DEL PRODUCTO

- Este producto ha sido diseñado y fabricado con materiales y componentes de alta calidad que se pueden reciclar y reutilizar.
- Cuando en el producto se encuentra el símbolo del contenedor con las ruedas tachado con una cruz, significa que el producto está tutelado por la Directiva europea 2002/96/CE.
- Se ruega informarse acerca del sistema local de recogida selectiva para los productos eléctricos y electrónicos.
- Respete las normas locales vigentes y no elimine los productos viejos junto con los residuos domésticos normales. La eliminación correcta del producto ayuda a evitar posibles consecuencias negativas para la salud del ambiente y del hombre.

► fr - SE DÉBARRASSER DE VOTRE PRODUIT USAGÉ

- Ce produit a été conçu et fabriqué avec des matériaux et des composants de haute qualité, qui peuvent être recyclés et utilisés de nouveau.
- Lorsque le symbole d'une poubelle à roue barrée est appliqué à un produit, cela signifie que le produit est couvert par la Directive Européenne 2002/96/CE.
- Veuillez vous informer du système local de séparation des déchets électriques et électroniques.
- Veuillez agir selon les règles locale set ne pas jeter vos produits usagés avec les déchets domestiques usuels. Jeter correctement votre produit usagé aidera à prévenir les conséquences négatives potentielles contre l'environnement et la santé humaine.

► nl - VERWIJDERING VAN HET PRODUCT

- Dit product werd ontworpen en gemaakt met hoogwaardige materialen en componenten, die gerecycleerd en herbruikt kunnen worden.
- Wanneer op een product het symbool van de afvalbak op wielen met een kruis erdoor is aangebracht, betekent dit dat het product valt onder de Europese Richtlijn 2002/96/EG.
- Gelieve inlichtingen in te winnen betreffende het plaatselijke systeem voor gedifferentieerde inzameling van elektrische en elektronische toestellen.
- Respecteer de plaatselijke normen die van kracht zijn, en verwijder de oude toestellen niet als gewoon huishoudelijk afval. Een correcte verwijdering van het product helpt om mogelijke negatieve gevolgen voor de gezondheid van mens en milieu te voorkomen.

► pt - ELIMINAÇÃO DO PRODUTO

- Este produto foi projetado e fabricado com materiais e componentes de alta qualidade que podem ser reciclados e reutilizados.
- Quando for afixado em um produto o símbolo do bidão com rodas marcado com uma cruz, significa que o produto é protegido pela Diretiva Europeia 2002/96/CE.
- Solicitamos informar-se sobre o sistema local de recolha diferenciada para os produtos elétricos e eletrônicos.
- Respeitar as normas locais em vigor e não eliminar os produtos antigos como normais detritos domésticos. A correta eliminação do produto ajuda a evitar possíveis consequências negativas para a saúde do ambiente e do homem.

► da - BORTSKAFFELSE

- Dette produkt er designet og fremstillet med materialer og dele af høj kvalitet, der kan genanvendes.
- Når et produkt er mærket med symbolet, der viser en affaldsspand på hjul med et kryds over, betyder det, at produktet er beskyttet af EF-Direktiv 2002/96/EF.
- Der henstilles til, at man informerer sig angående det lokale affaldssorteringssystem for elektriske og elektroniske produkter.
- De gældende lokale regler skal overholdes, og de gamle produkter må ikke bortskaffes sammen med husholdningsaffaldet. Ved at bortskaffe dette produkt korrekt, medvirker De til at forhindre eventuelle negative påvirkninger af miljøet og folkesundheden.

► fi - TUOTTEEN HÄVITTÄMINEN

- Tämä tuote on suunniteltu ja valmistettu korkealaatuisia materiaaleja ja osia käyttämällä, jotka voidaan kierrättää ja käyttää uudelleen.
- Kun tuotteeseen on kiinnitetty viivattu roskasäiliön merkki, se tarkoittaa, että tuotetta suojaa Euroopan yhteisön direktiivi 2002/96/EY.
- Hanki tietoja paikallisesta sähkö- ja elektroniikkaromujen erilliskeräyksestä.
- Noudata voimassa oleva määräyksiä äläkä hävitä vanhoja tuotteita kotitalousjätteiden mukana. Tuotteen oikea hävittäminen auttaa suojelemaan luontoa ja välttää väärän romutuksen aiheuttamien terveysriskien syntymistä.

► no - AVFALLSHÅNDTERING

- Dette produktet er utformet og produsert med materialer og deler av høy kvalitet, og som kan gjenvinnes.
- Når det på et produkt finnes et symbol som forestiller en avfallsbeholder med et kryss over, betyr dette at produktet er underlagt EU-direktiv 2002/96/CE.
- Vennligst informer dere angående de lokale reglene som gjelder kassering av elektrisk og elektronisk avfall.
- Ta hensyn til gjeldende regelverk og ikke kast gamle produkter sammen med husholdningsavfall. Riktig avfallshåndtering av produktet bidrar til å unngå potensielle negative konsekvenser for miljøet og menneskenes helse.

► sv - PRODUKTENS BORTSKAFFANDE

- Den här produkten har projekterats och tillverkats med material och komponenter av hög kvalitet som kan återvinnas och återanvändas.
- När ett klistermärke med en symbol med överkorsad soptunna med hjul sitter på produkten, betyder detta att produkten är skyddad av Eu-direktiv 2002/96/EG.
- Vi ber er inhämta upplysningar vid er lokala återvinningsstation för elektriska och elektroniska produkter.
- Följ lokala gällande bestämmelser och skaffa inte bort förbrukade produkter i det vanliga hushållsavfallet. Ett korrekt bortskaffande av produkten hjälper till att undvika möjliga negativa effekter på miljö- och människohälsa.

► pl - UTYLIZACJA PRODUKTU

- Niniejszy produkt został wyprodukowany z najwyższej jakości materiałów, które mogą być poddane recyklingowi i zostać ponownie użyte.
- Symbol przekreślonego kosza na śmieci umieszczony na produkcie oznacza, że ów produkt jest chroniony Dyrektywą Unii Europejskiej 2002/96/WE.
- Należy zapoznać się z lokalnym systemem zbiórki produktów elektronicznych i elektrycznych.
- Stare produkty muszą być usuwane zgodnie z obowiązującymi normami. Odpowiednia utylizacja urządzeń elektrycznych i elektronicznych zapobiega negatywnym następstwą które mogą mieć wpływ na zdrowie, środowisko i całą ludzkość.

► ru - УТИЛИЗАЦИЯ ПРОДУКТА

- Данный продукт был произведен из наивысшего качества материалов, которые могут быть подданы рециклингу и повторно использованы.
- Символ зачеркнутой мусорной корзины, размещенный на продукте, обозначает, что этот продукт защищен Директивой Европейского Союза 2002/96/CE.
- Следует ознакомиться с локальной системой сбора электронных и электрических продуктов.
- Старые продукты должны быть утилизированы в соответствии с действующими нормами. Соответствующая утилизация электрических и электронных приборов предотвращает последствия, негативно влияющие на здоровье, окружающую среду и все человечество.

► cs - LIKVIDACE VÝROBKU

- Tento výrobek byl navržen a vyroben z vysoce kvalitních materiálů a komponentů, které lze recyklovat a znovu použít.
- Je-li na výrobku symbol přeškrtnutého kontejneru, znamená to, že na výrobek se vztahuje Evropská Směrnice 2002/96/ES.
- Informujte se o místním systému pro oddělený sběr elektrických a elektronických výrobků.
- Dodržujte místní předpisy a nelikvidujte staré produkty spolu s běžným komunálním odpadem. Správná likvidace výrobku pomůže předcházet možným negativním dopadům na životní prostředí a lidské zdraví.

► hu - HULLADÉKBA HELYEZÉS

- A termék kiváló minőségű újrahasznosítható és újból felhasználható alkotóelemek felhasználásával készült.
- Ha terméken elhelyezésre került az áthúzott hulladékgyűjtőt ábrázoló jel, az azt jelenti, hogy a termékre a 2002/96/EK irányelv vonatkozik.
- Kérjük, tájékozódjon az elektromos és elektronikus hulladékok szelektív gyűjtéséről.
- Tartsa be a helyben hatályos előírásokat, és ne a terméket ne helyezze a háztartási hulladékgyűjtőbe. A megfelelő hulladékgyűjtéssel elkerülhető, hogy a hulladékok károsítsák a környezetet ill. az emberi egészséget.

► sl - ODLAGANJE IZDELKA

- Ta izdelki je bil zasnovan in izdelan iz materialov in komponent visoke kakovosti, ki jih je mogoče reciklirati in ponovno uporabiti.
- Ko je izdelek označen z znamenjem prekrižanega smetnjaka na kolesih, pomeni, da zanj veljajo določbe evropske Direktive 2002/96/ES.
- Pozanimajte se o načinu ločenega zbiranja električne in elektronske opreme, ki velja v vašem kraju.
- Upoštevajte veljavne predpise in odsluženih izdelkov ne odlagajte med gospodinjske odpadke. Pravilno odlaganje izdelka prispeva k izogibanju morebitnim negativnim posledicam za zdravje okolja in ljudi.

► tr - ÜRÜNÜN İMHA EDİLMESİ

- Bu ürün, geri dönüşürülüp tekrar kullanılabilen, yüksek kaliteli malzeme ve bileşenler kullanılarak tasarlanıp üretilmiştir.
- Herhangi bir üründe, üzerinde çarpı işareti bulunan tekerlekli bidon bulunuyorsa bu, ürünün 2002/96/CE Avrupa Direktifi tarafından korunduğunu belirtir.
- Lütfen bulunduğunuz bölgedeki elektrikli ve elektronik aletler için olan çöp ayrıştırma sistemi ile ilgili bilgi edininiz.
- Konuyla ilgili yerel düzenlemelere uyunuz ve eski ürünleri normal evsel atıklarla beraber atmayınız. Ürünün doğru şekilde imha edilmesi, çevre ve insan sağlığını tehdit edici olumsuz sonuçların önlenmesine yardımcı olur.

► hr - ODBACIVANJE PROIZVODA

- Ovaj je proizvod osmišljen i izrađen s visokokvalitetnim materijalima i komponentama koje se mogu reciklirati i ponovno iskoristiti.
- Kada se na proizvod stavi simbol prekrižene kante na kotačima, to znači da je on podvrgnut Europskoj Smjernici 2002/96/CE.
- Informirajte se u svezi s lokalnim načinom diferencijalnog sakupljanja električnih i elektronskih proizvoda.
- Poštujte lokalne propise na snazi i ne odbacujte stare proizvode zajedno sa običnim kućnim otpadom. Pravilnim odbacivanjem proizvoda spriječit ćete moguće negativne posljedice za okoliš i za zdravlje ljudi.

► lt - GAMINIO SUNAIKINIMAS

- Šis gaminys buvo sukurtas ir pagamintas iš aukštos kokybės medžiagų bei dalių, kurios gali būti perdirbtos arba panaudotos dar kartą.
- Kai gaminys yra pažymėtas perbraukto atliekų konteinerio su ratukais ženklu, tai reiškia, kad gaminys yra saugomas pagal ES direktyvą 2002/96/EB.
- Prašome pasidomėti apie vietinę elektros ir elektronikos atliekų rūšiavimo sistemą.
- Laikykites vietinių galiojančių taisyklių ir nemeskite senų gaminių su įprastomis buitinėmis atliekomis. Tinkamai sunaikinę gaminių išvengsite galimų neigiamų pasekmių aplinkai ir žmonių sveikatai.

► lv - PRODUKTA IZNĪCINĀŠANA

- Šis produkts tika izveidots un ražots ar augstas kvalitātes materiāliem un sastāvdaļām, kas var būt savāktas un atkārtoti izmantotas.
- Kad pie produkta ir piestiprināts atkritumu tvertnes simbols ar riteņiem, kas ir pārsvītrots ar krustu, tas nozīmē, ka produktu aizstāv Eiropas Direktīva 2002/96/EK.
- Lūdzam Jūs gūt informāciju par reģionālo atkritumu apsaimniekotāju, kas savāc elektriskās un elektroniskā ierīces.
- Ievērot vietējās pastāvošās normas un neiznīcināt vecus produktus, kā parastus mājas atkritumus. Produkta pareiza iznīcināšana palīdz izvairīties no iespējamām negatīvām sekām vides un cilvēku veselībai.

► et - TOOTE KASUTUSEST KÕRVALDAMINE

- See toode on projekteeritud ja toodetud kvaliteetsetest materjalidest ja osadest, mida võib uuesti ringlusesse võtta ja korduskasutada.
- Kui tootel on märk, millel on ratastega prügikast, millele on rist peale tõmmatud, tähendab see, et toodet kaitseb Euroopa direktiiv 2002/96/EÜ.
- Palun tutvuge kohaliku elektri- ja elektroonikatoodete lahuskogumise süsteemiga.
- Täitke kehtivaid kohalikke õigusnorme ning ärge visake vana toodet olmejäätmete hulka. Toote õige kõrvaldamine aitab vältida võimalikke negatiivseid tagajärgi keskkonna ja inimeste tervisele.

► ro - SCOATEREA DEFINITIVĂ DIN UZ A PRODUSULUI

- Acest produs a fost proiectat și fabricat cu materiale și componente de înaltă calitate care pot fi reciclate și refolosite.
- Când pe produs este aplicat simbolul unei pubele cu roți, marcată cu o cruce, înseamnă că produsul respectiv este conform Directivei Europene 2002/96/CE.
- Vă rugăm să vă informați în ceea ce privește colectarea separată a produselor electrice și electronice.
- Respectați normele locale în vigoare și nu depozitați produsele vechi împreună cu deșeurile menajere. Eliminarea corectă a produsului ajută la eliminarea consecințelor negative pe care acesta le poate avea asupra mediului înconjurător și a persoanelor.

► sk - LIKVIDÁCIA VÝROBKU

- Tento výrobok bol navrhnutý a vyrobený z vysoko kvalitných materiálov a komponentov, ktoré je možné recyklovať a znovu použiť.
- Ak je na výrobku symbol prečiarknutého kontajnera, znamená to, že na výrobok sa vzťahuje Európska Smernica 2002/96/ES.
- Informujte sa o miestnom systéme pre oddelený zber elektrických a elektronických výrobkov.
- Dodržujte miestne predpisy a nelikvidujte staré produkty spolu s bežným komunálnym odpadom. Správna likvidácia výrobku pomôže predchádzať možným negatívnym dopadom na životné prostredie a ľudské zdravie.

► bg - ИЗХВЪРЛЯНЕ НА УРЕДА

- Това изделие е проектирано и произведено с материали и компоненти от високо качество, които могат да се рециклират или използват повторно.
- Когато на някое изделие е поставен символ с бидон на колелца, маркиран с хикс, това означава, че изделието е защитено съгласно Европейска Директива 2002/96/ЕО.
- Моля да се информирате относно местната система за разделно изхвърляне на електрически и електронни изделия.
- Спазвайте действащите местни нормативи и не изхвърляйте изделията, заедно с нормалните домакински отпадъци. Правилното изхвърляне на изделията, помага за избягване на възможни отрицателно последици, за здравето на хората и за опазване на околната среда.

► uk - УТИЛІЗАЦІЯ ВИРОБУ

- Цей виріб був спроектований і вироблений з використанням високоякісних матеріалів і комплектуючих, які можуть бути повторно перероблені і використані.
- Якщо на виріб нанесено символ перекресленого бака з колесами для сміття, це означає, що виріб відповідає Директиві Європейського Союзу 2002/96/CE.
- Просимо ознайомитися з інформацією щодо місцевої системи роздільного збору сміття для електричного і електронного обладнання.
- Дотримуйтеся чинних місцевих правил і не викидайте старі вироби до звичайних побутових відходів. Правильна утилізація виробу допомагає уникнути можливих негативних наслідків для довкілля і здоров'я людей.

► bs - ODLAGANJE PROIZVODA

- Ovaj je proizvod dizajniran i proizveden korištenjem materijala i komponenata visoke kvalitete koji se mogu reciklirati i ponovo koristiti.
- Kada se na ovaj proizvod postavi simbol prekrizene kante /obilježene krstom na točkovima, to znači da je proizvod podložan Evropskoj Direktivi 2002/96/CE.
- Molimo Vas da se informirate o lokalnom sistemu diferencijalnog sakupljanja električnih i elektronskih proizvoda.
- Poštujte lokalne propise na snazi i ne odbacujte stare proizvode u obični kućanski otpad. Pravilno odlaganje proizvoda pomaže i onemogućuje negativne posljedice za zdravlje ljudi i okoliša

► el - ΔΙΑΘΕΣΗ ΤΟΥ ΠΡΟΪΟΝΤΟΣ

- Το προϊόν αυτό σχεδιάστηκε και κατασκευάστηκε με υλικά και εξαρτήματα υψηλής ποιότητας, τα οποία μπορούν να ανακυκλωθούν και να ξαναχρησιμοποιηθούν.
- Όταν ένα προϊόν είναι συνδεδεμένο με το σύμβολο του διαγεγραμμένου τροχοφόρου σημειωμένο με ένα σταυρό, σημαίνει ότι το προϊόν καλύπτεται από την Ευρωπαϊκή Οδηγία 2002/96/ΕΚ.
- Σας συνιστούμε να ενημερωθείτε σχετικά με το τοπικό σύστημα συλλογής για την ανακύκλωση ηλεκτρικών και ηλεκτρονικών προϊόντων.
- Τηρήστε τους τοπικούς κανονισμούς που ισχύουν και μην απορρίπτετε τα παλαιά προϊόντα στα οικιακά απορρίμματα. Η σωστή διάθεση του προϊόντος βοηθά στην αποφυγή πιθανών αρνητικών συνεπειών για την υγεία του περιβάλλοντος και του ανθρώπου.

► zh - 弃置旧的产品

- 该产品是由高质量的原材料和零配件生产而成的，可以进行回收再利用
- 当这个标识标签出现在产品上时，它表明这个产品符合 European Directive 2002/96/EC标准。
- 请熟知产品实际使用地关于处理废弃的电子器件的相关法律规定。
- 请严格根据当地法规处理废弃的产品和包装，并确保不和生活垃圾混装。正确的处理方式可以避免对环境 and 人体健康产生的潜在威胁。

MCS Italy S.p.A.
Via Gardesana 11, -37010-
Pastrengo (VR), Italy
info@mcsitaly.it

MCS Central Europe Sp. z o.o.
ul. Magazynowa 5A,
62-023 Gądkki, Poland
office@mcs-ce.pl

MCS Russia LLC
ul. Transportnaya - 22 ownership 2,
142802, STUPINO, Moscow region, Russia
info@mcsrussia.ru

MCS China LTD
Unit 2B, 512 Yunchuan Rd.,
Shanghai,
201906, China
office@mcs-china.cn

EURITECSA
C/Calabozos, 6 Polígono Industrial,
28108 Alcobendas (Madrid)
Spain
euritecsa@euritecsa.es

MCS Italy S.p.A.
Виа Гардесана 11, 37010
Пастренго (Верона), Италия
info@mcsitaly.it

MCS Central Europe Sp. z o.o.
ул. Магазинова, 5А,
62-023 Гадки, Польша
office@mcs-ce.pl

ООО «ЭмСиЭс Россия»
Ул. Транспортная, владение 22/2,
142802, г.Ступино, Московская обл., РФ
info@mcsrussia.ru

MCS China LTD
Юньчуань роад, 512,
строение 2В, Шанхай,
201906, Китай
office@mcs-china.cn

EURITECSA
Ц/Калабозос, 6 Полигоно Индустириал,
28108 Алкобендас (Мадрит)
Испания
euritecsa@euritecsa.es